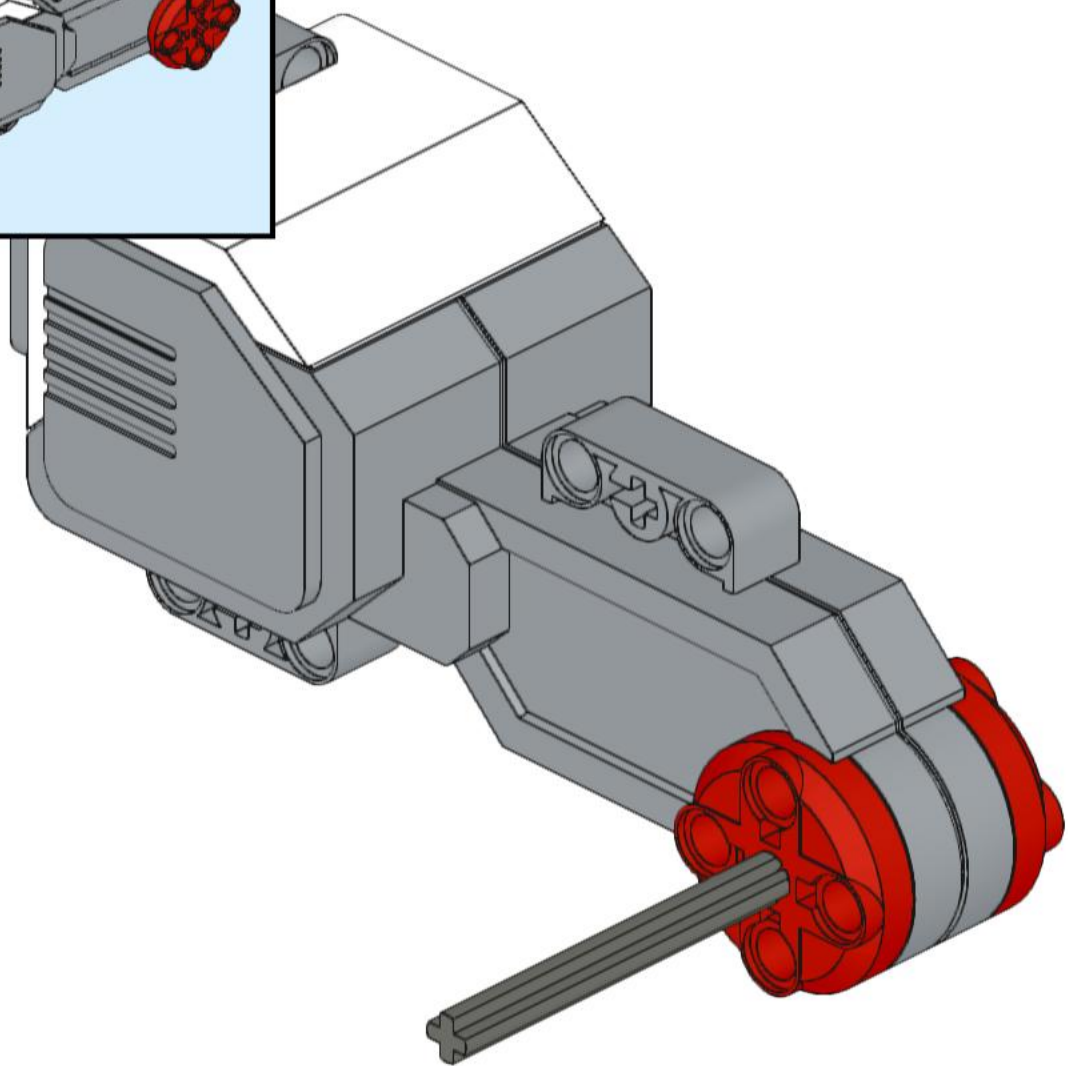
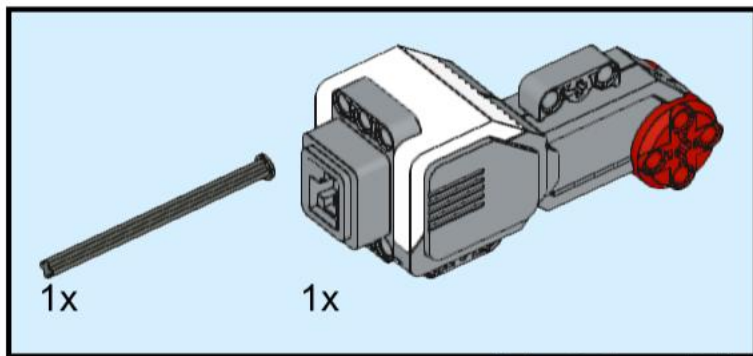
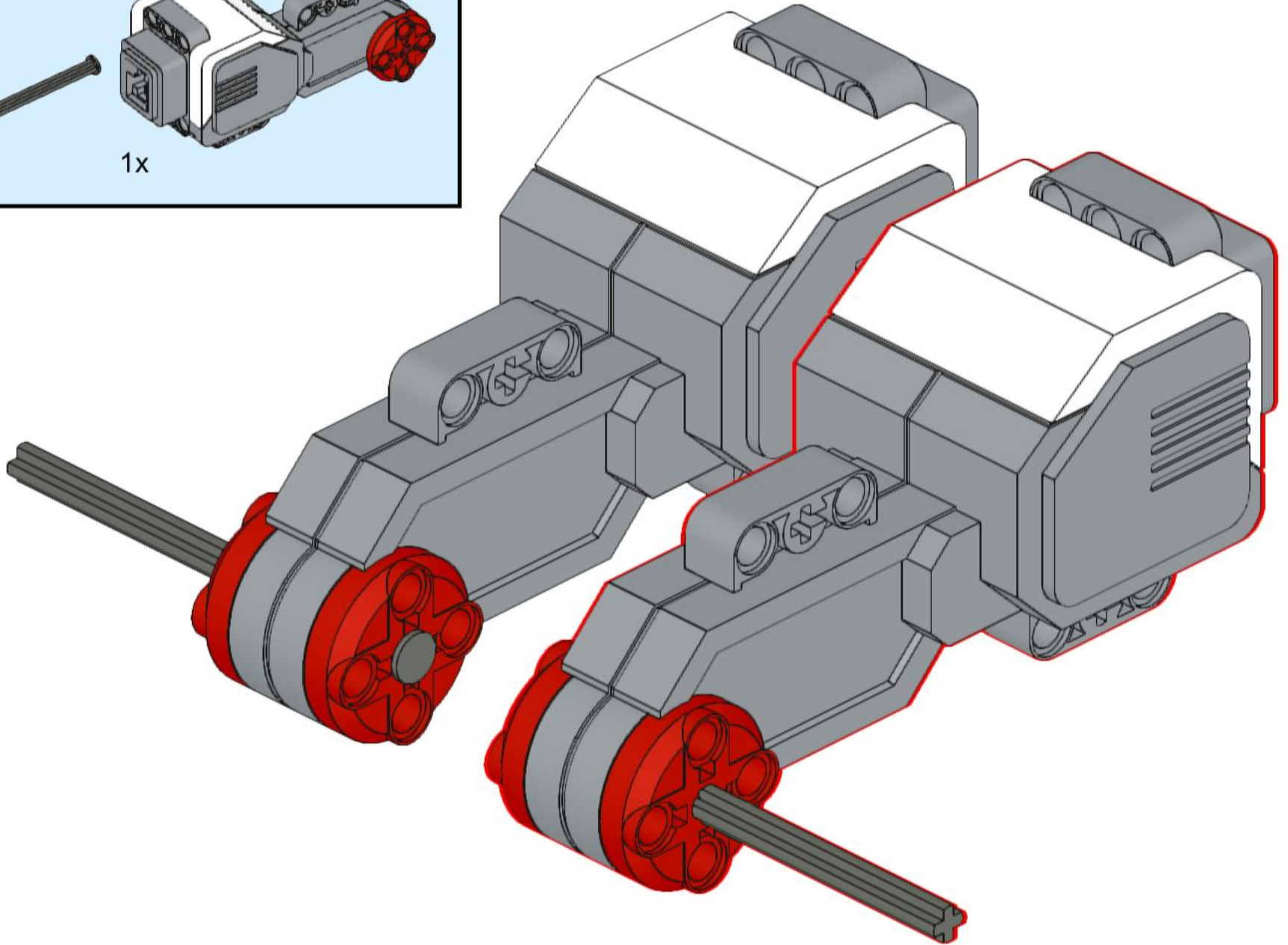
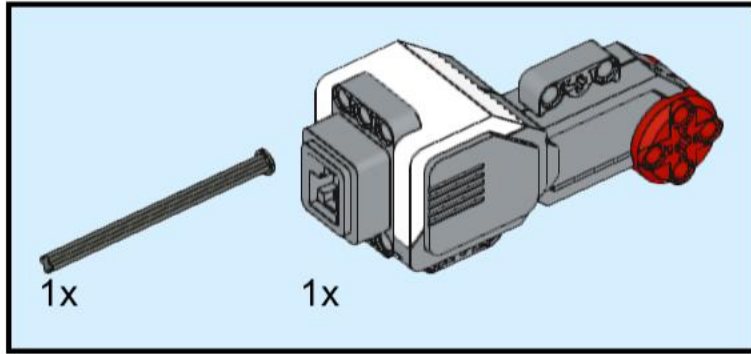


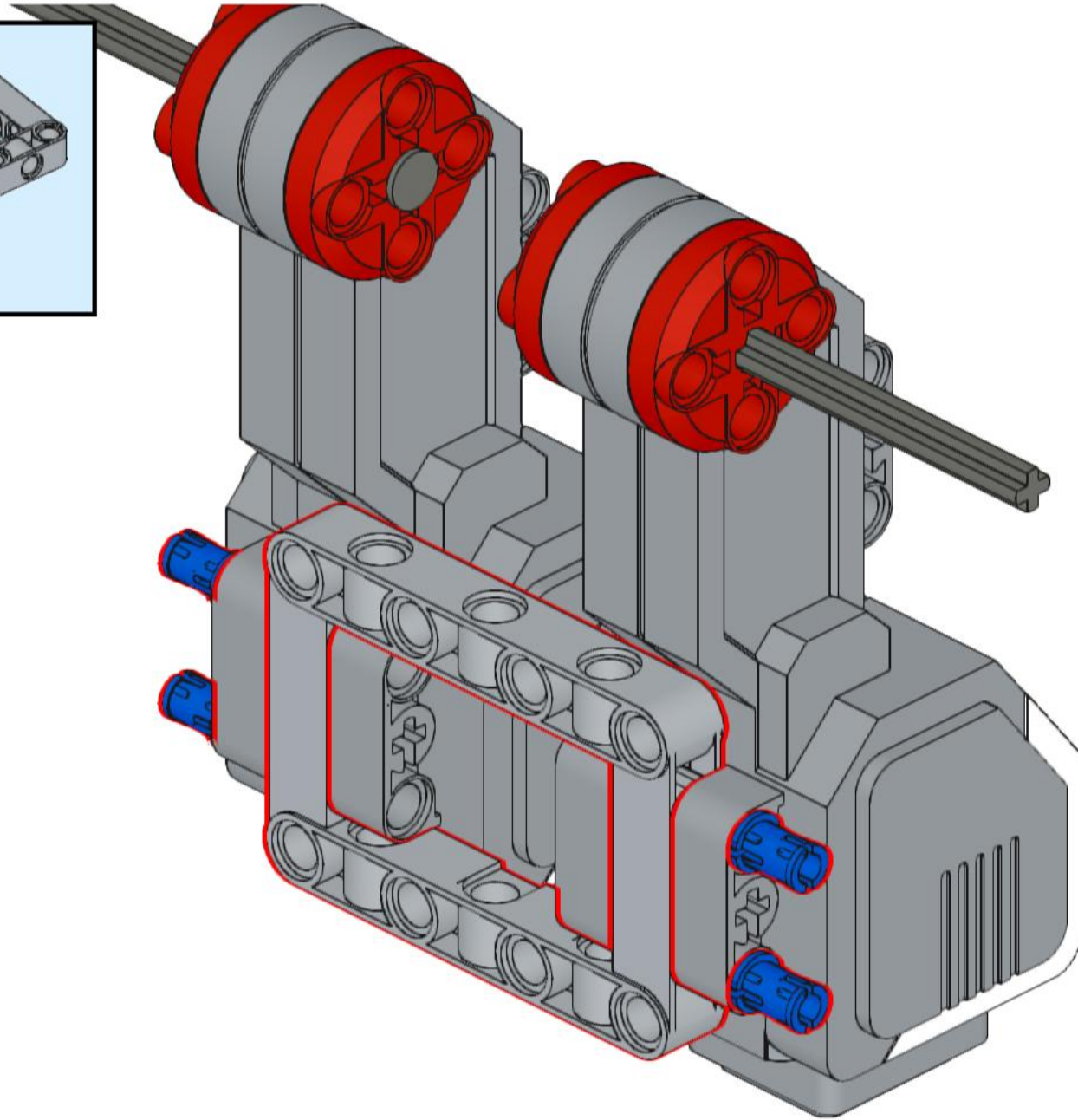
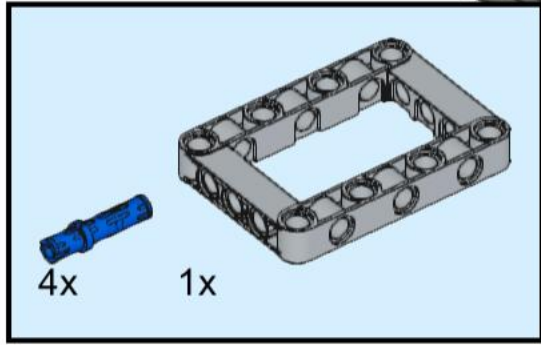
1



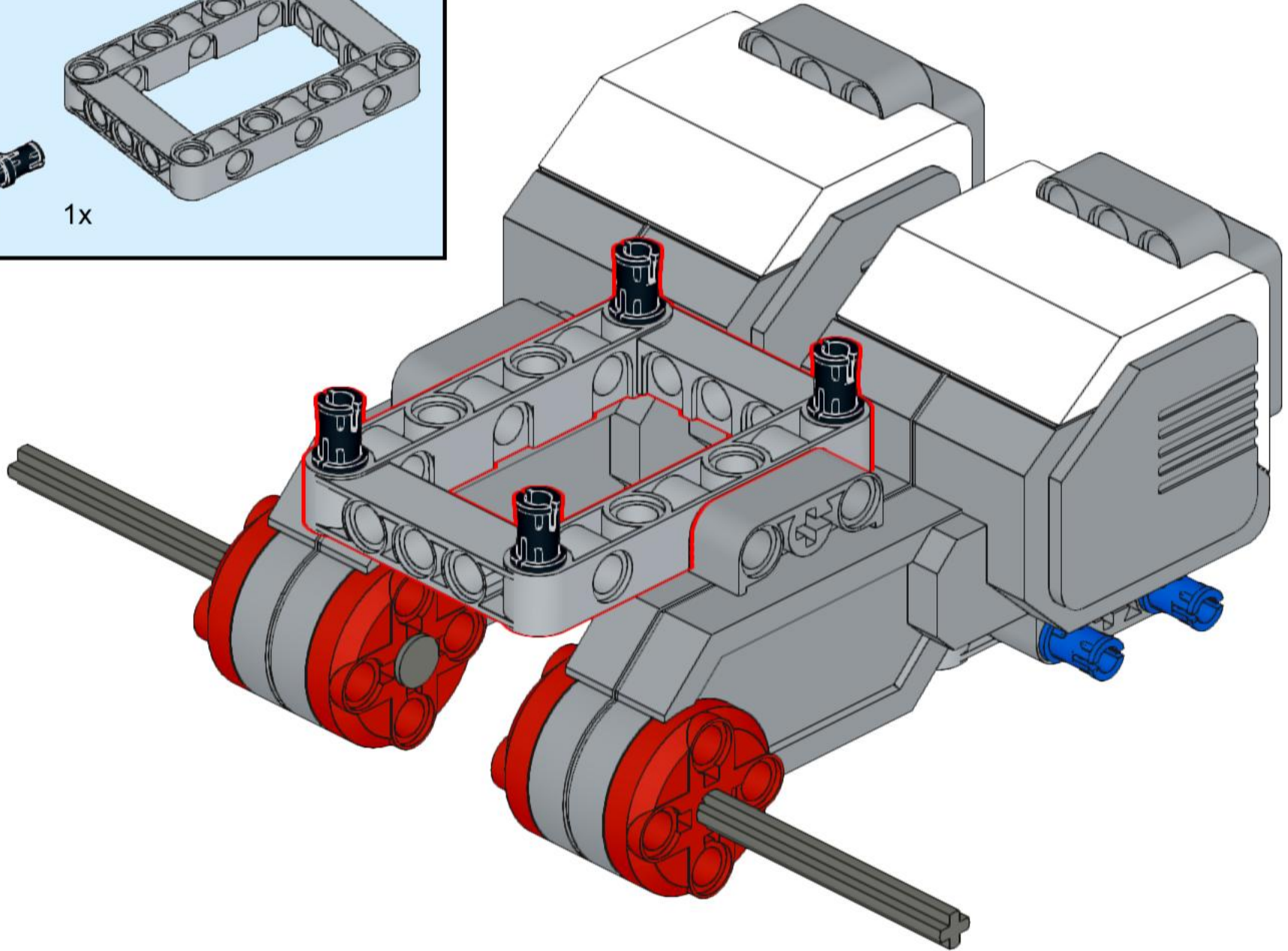
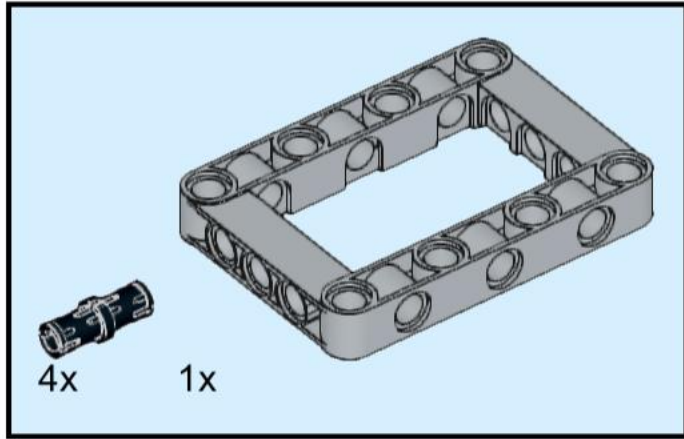
2



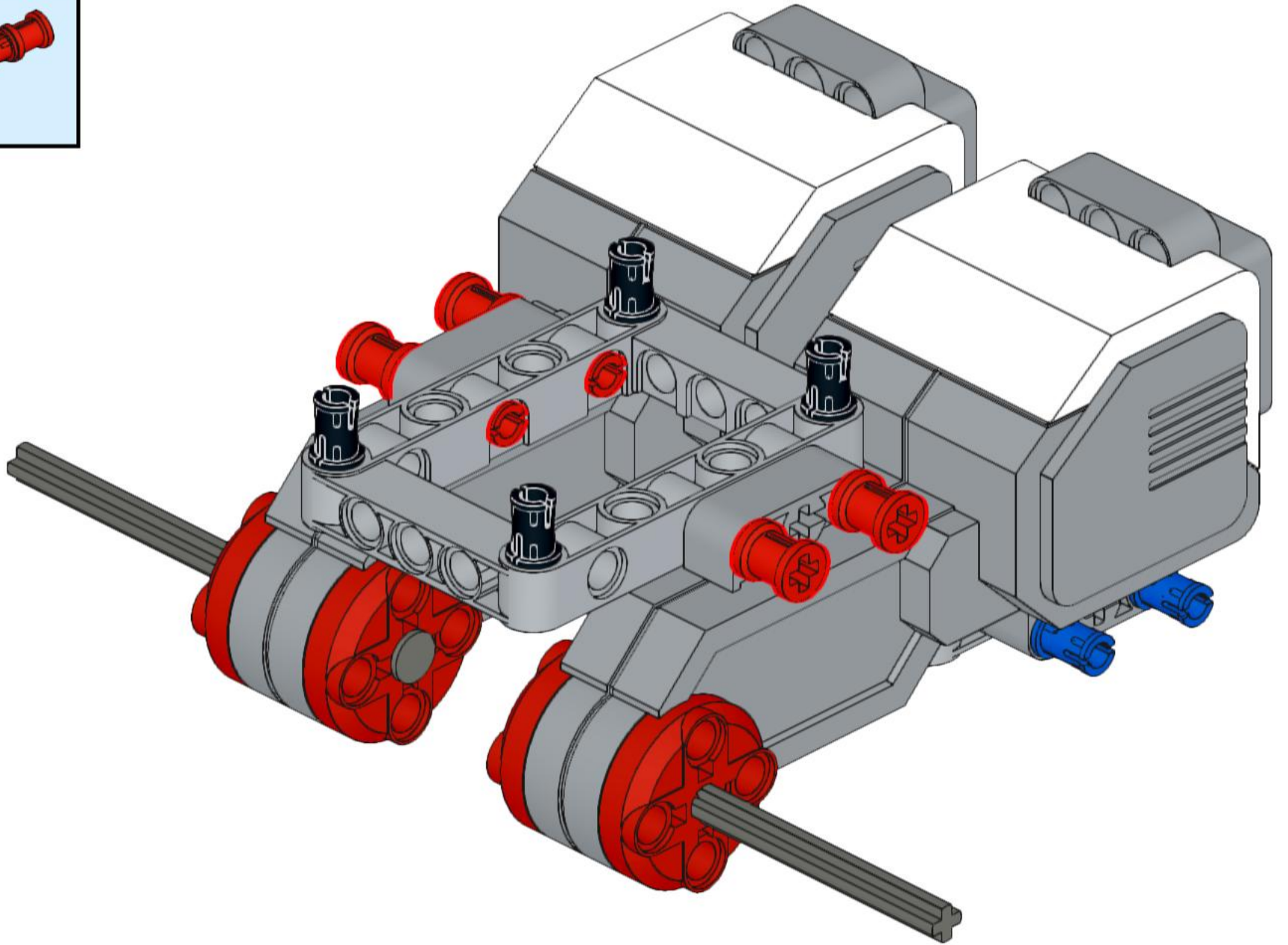
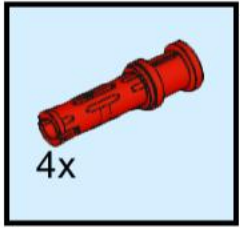
3



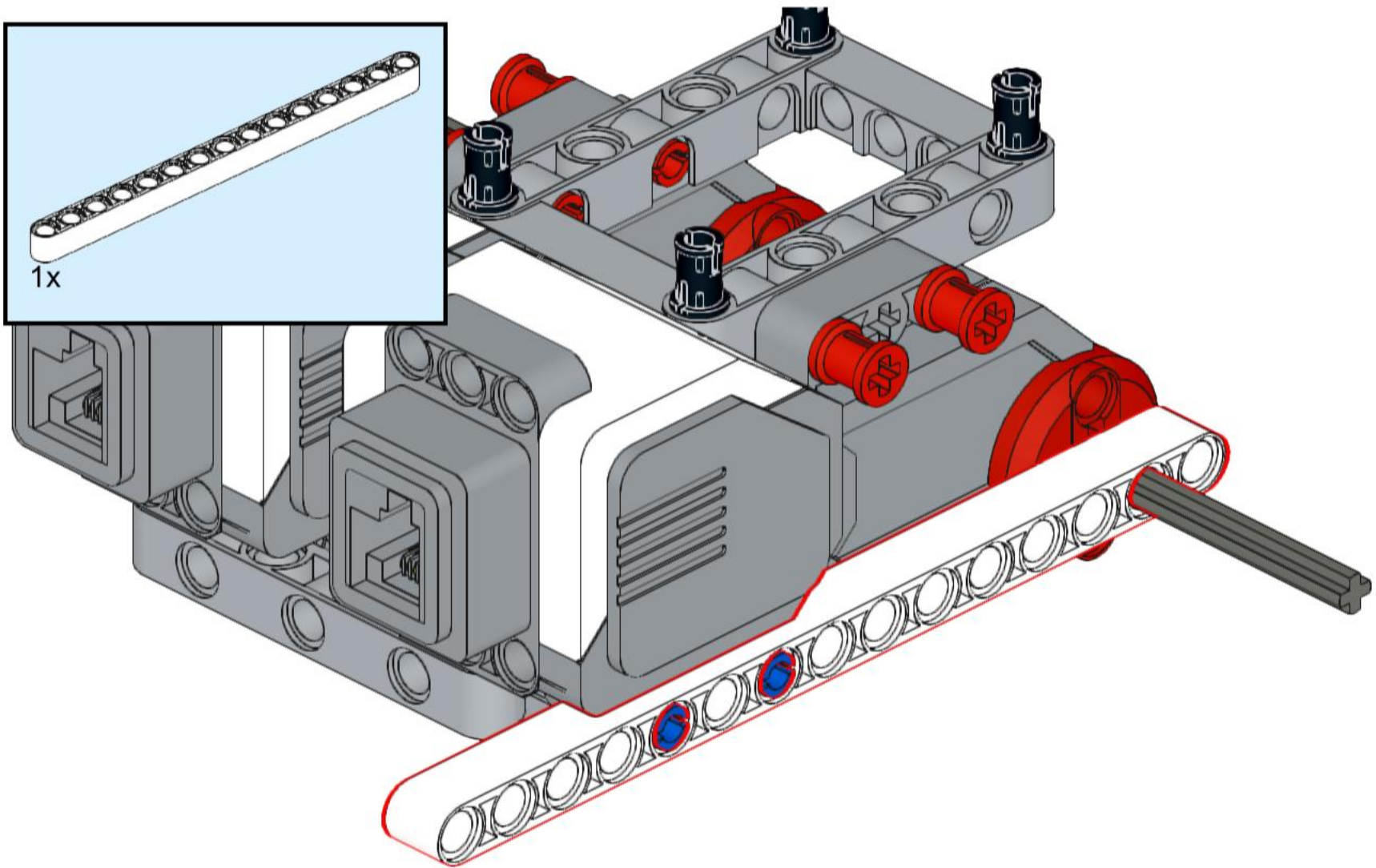
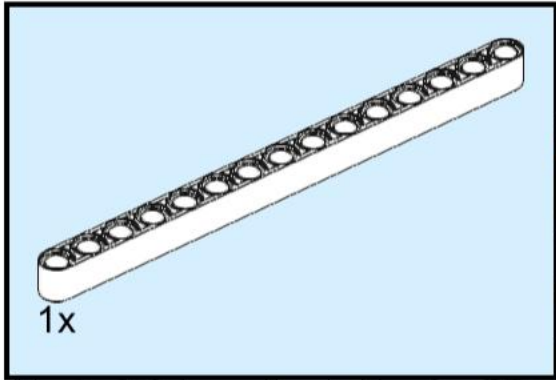
4



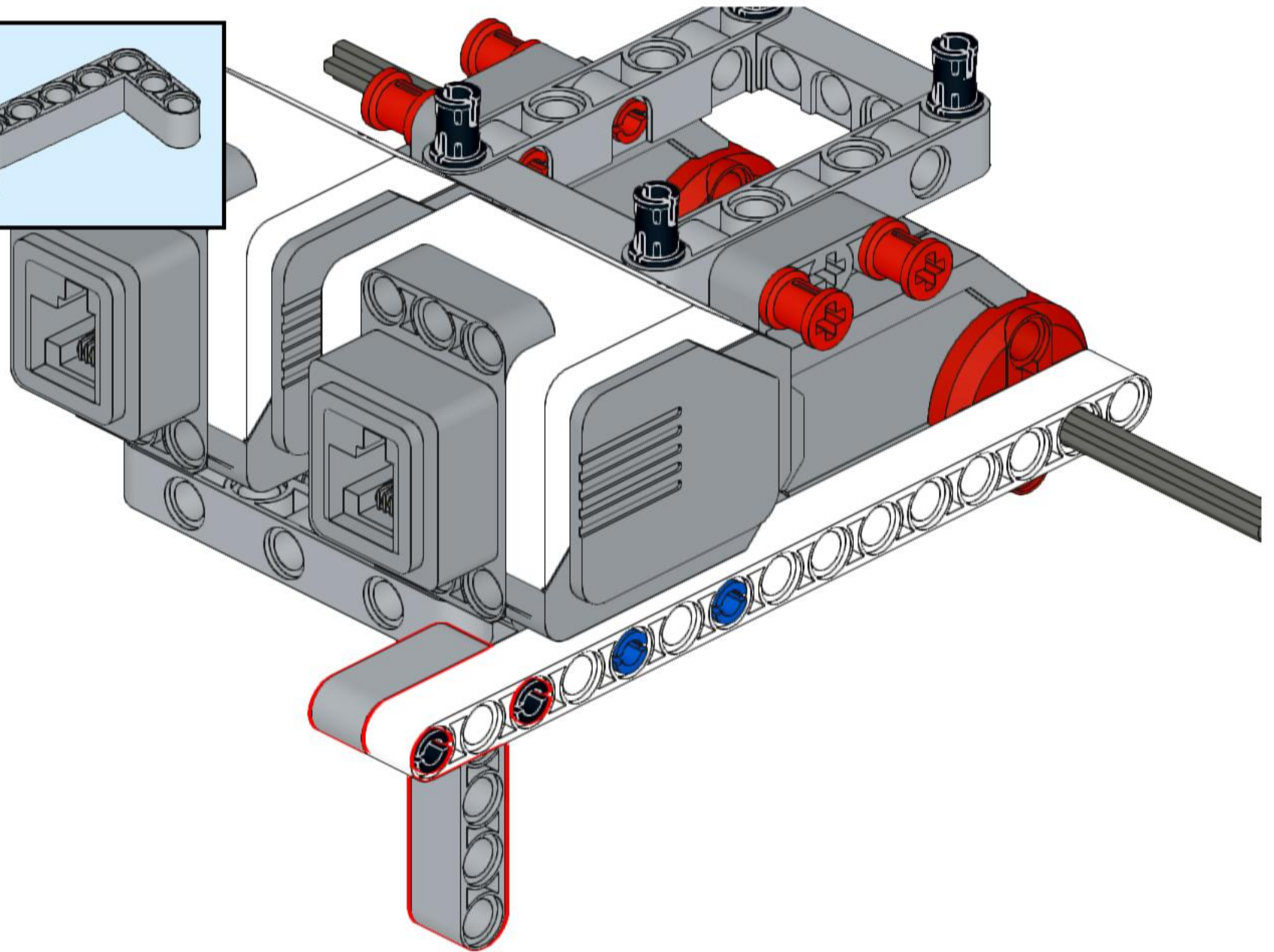
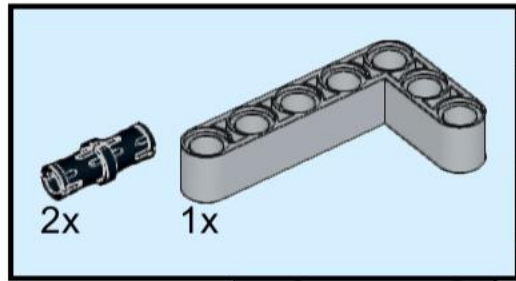
5



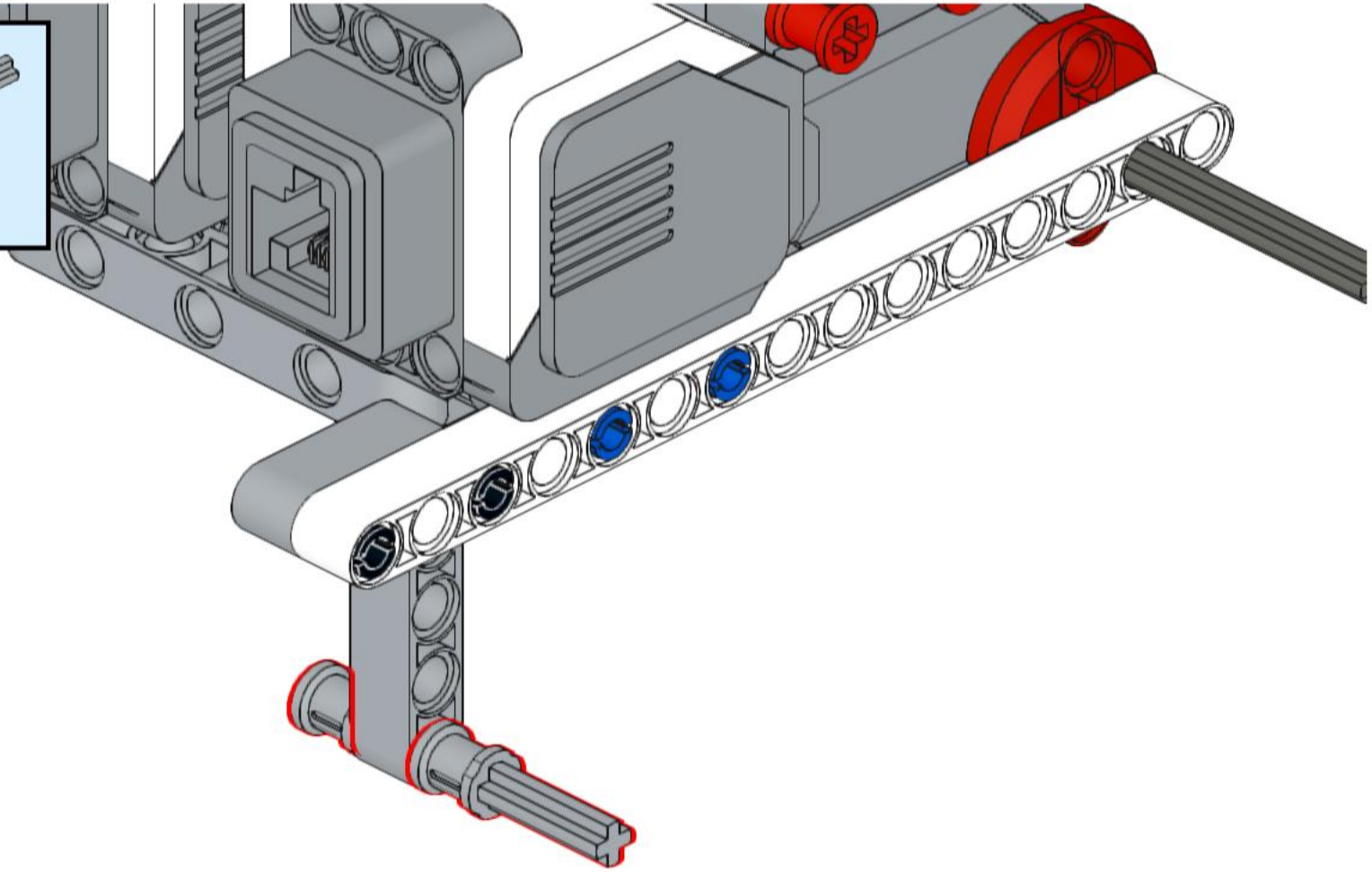
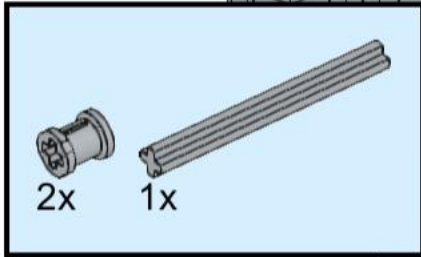
6



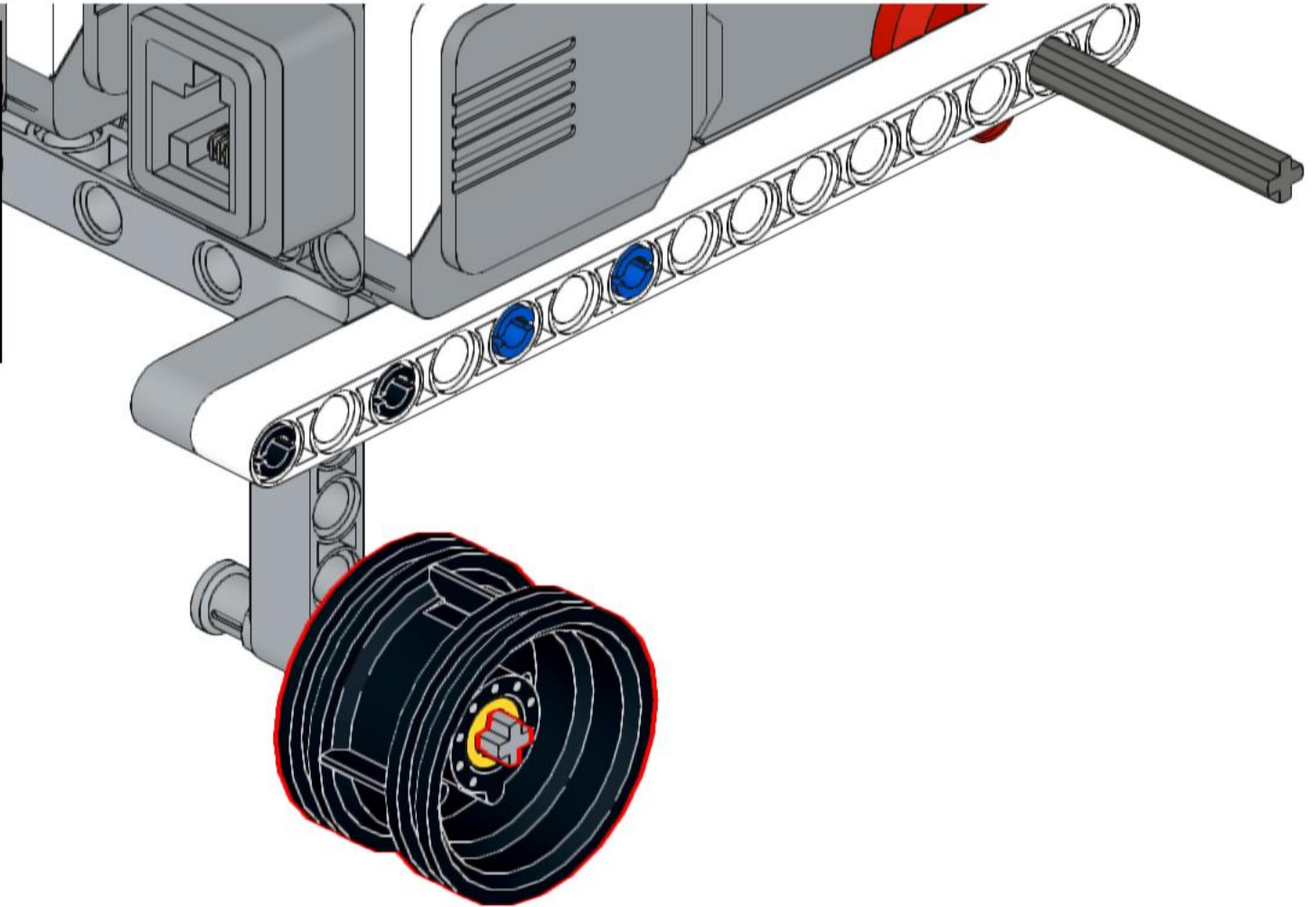
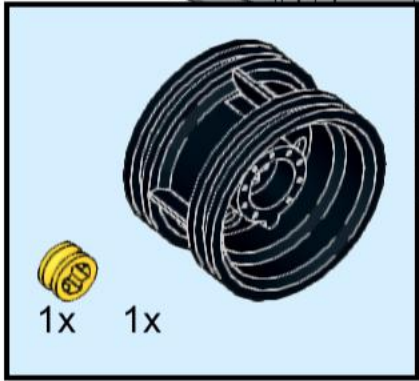
7



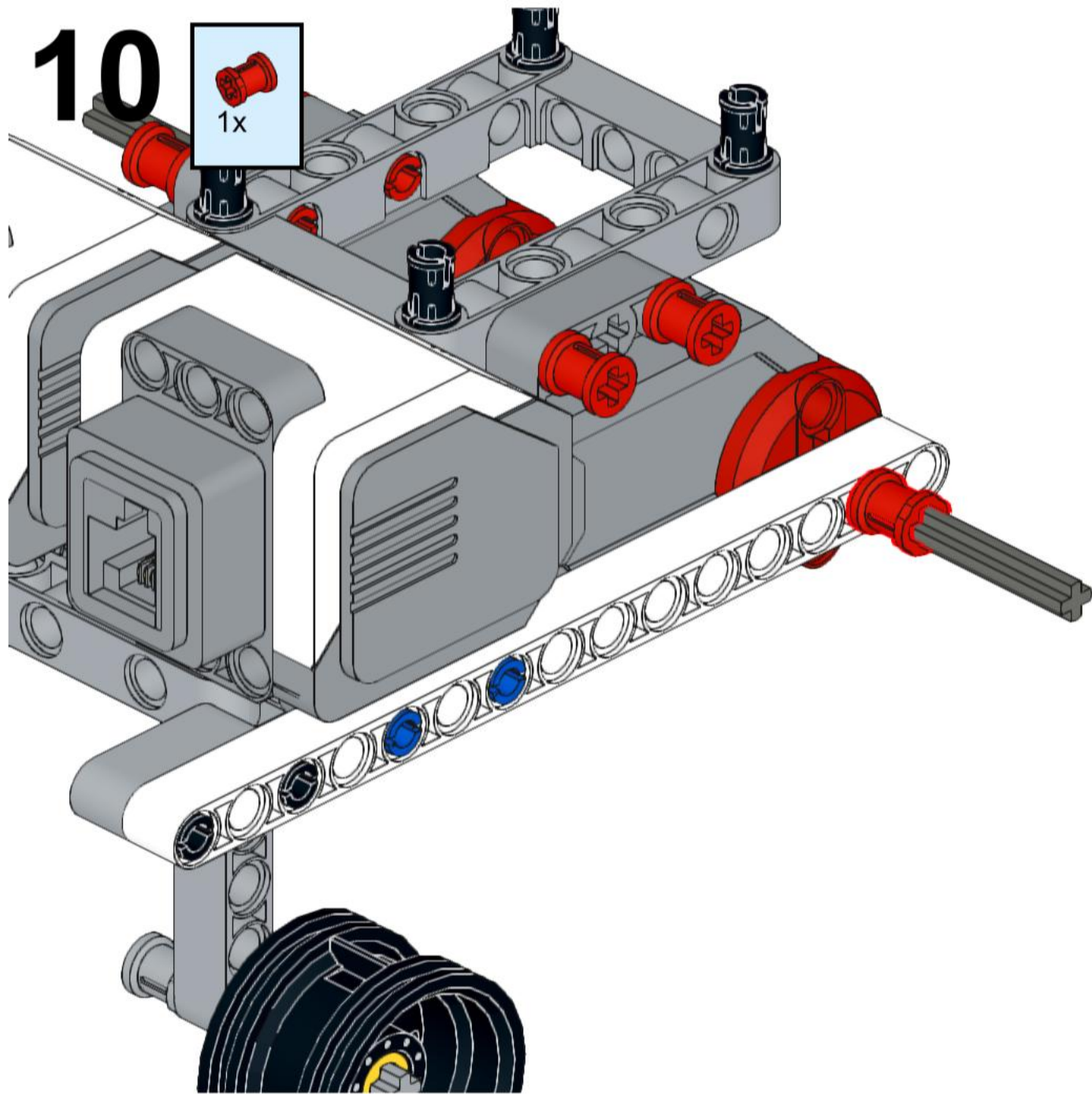
8



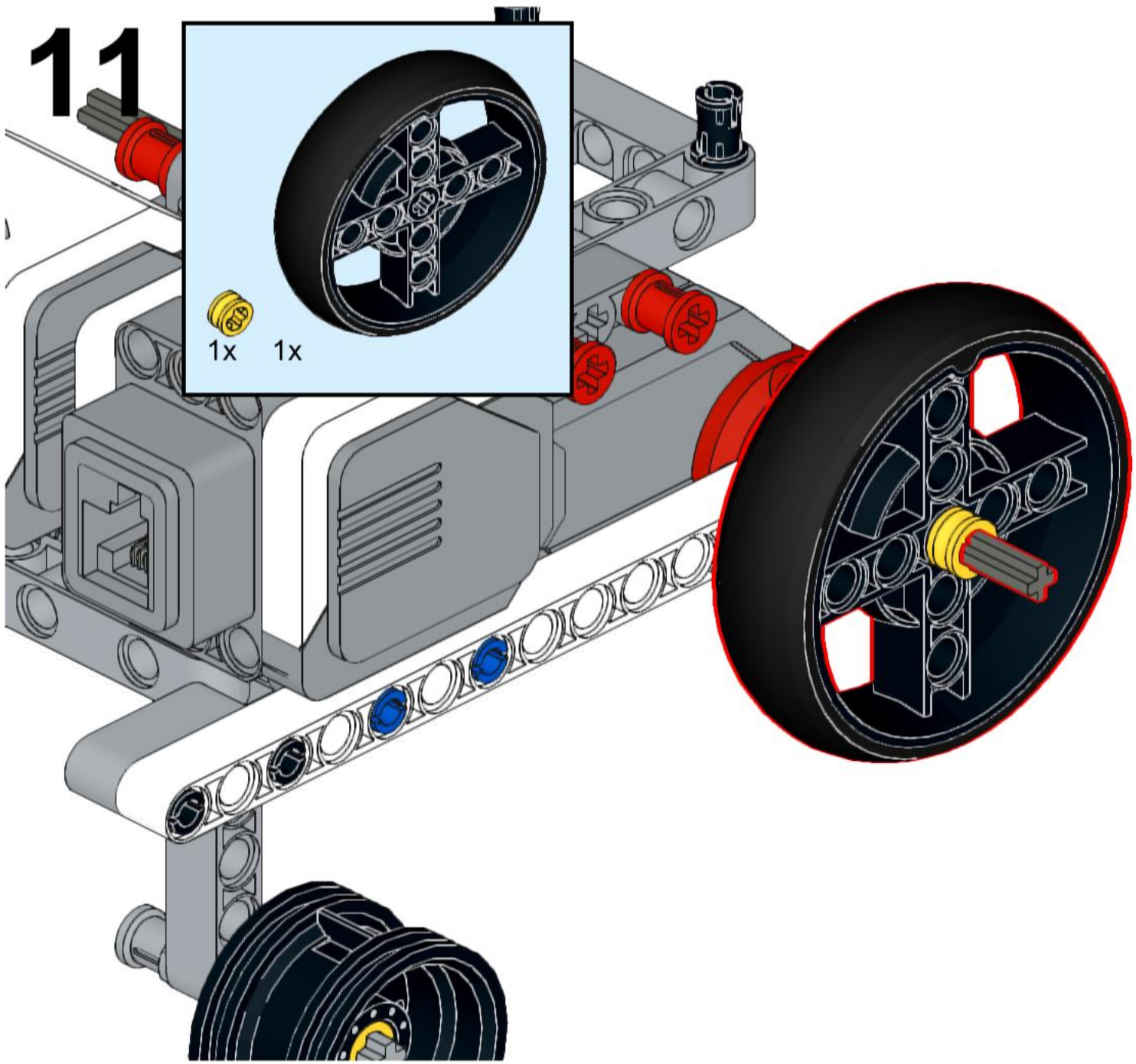
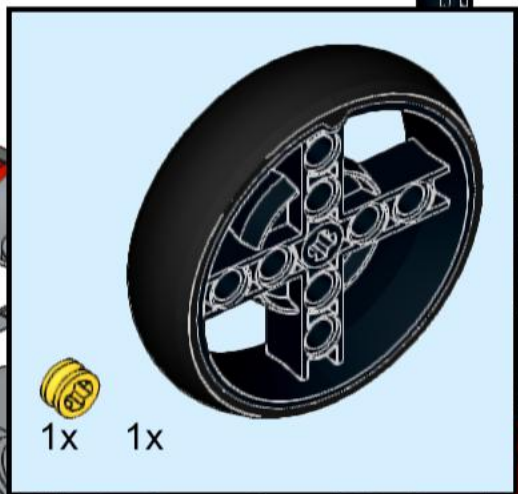
9



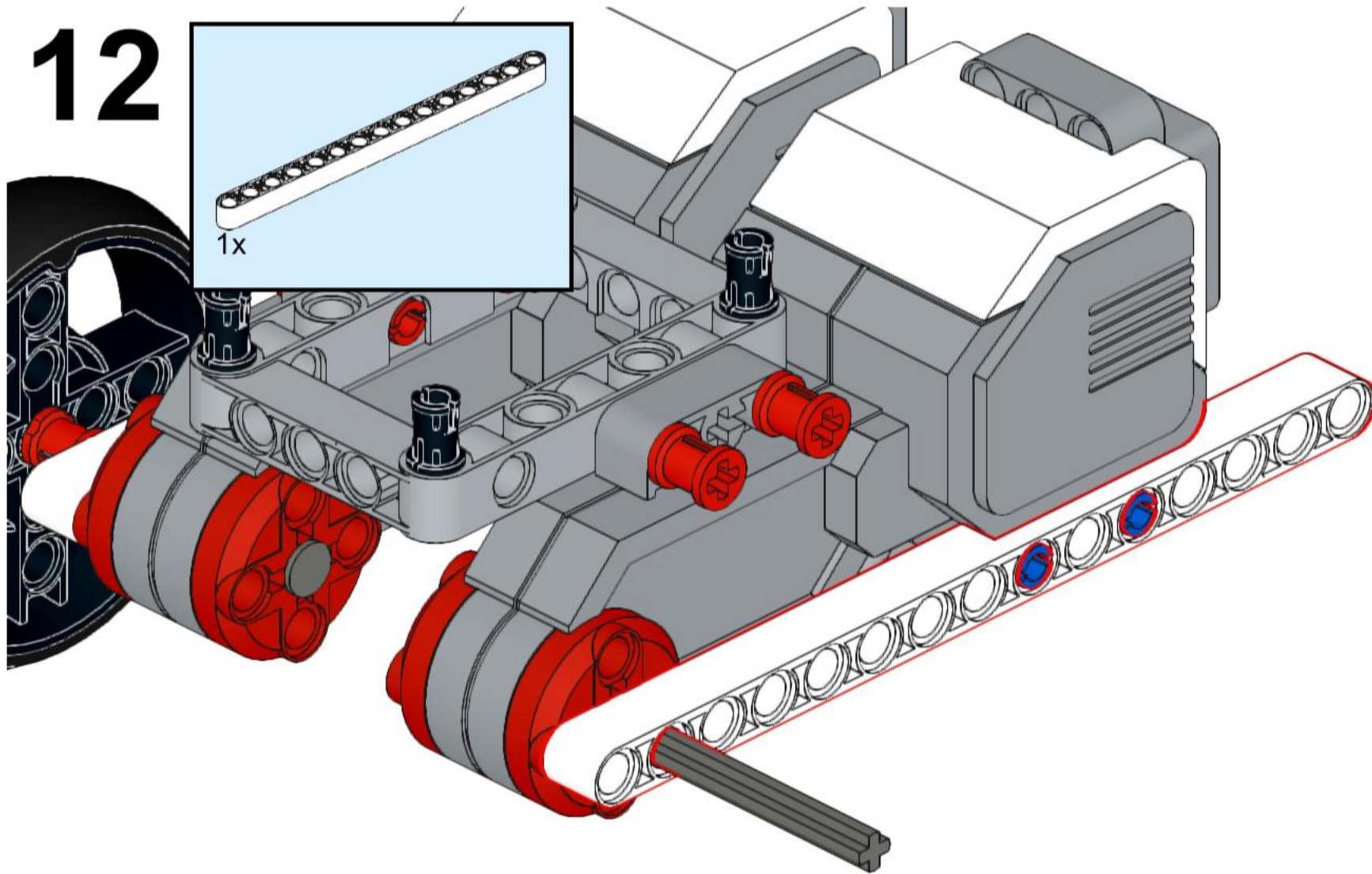
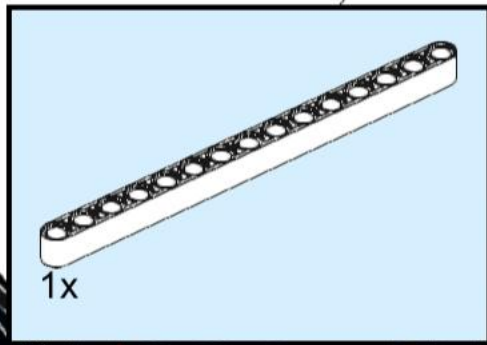
10



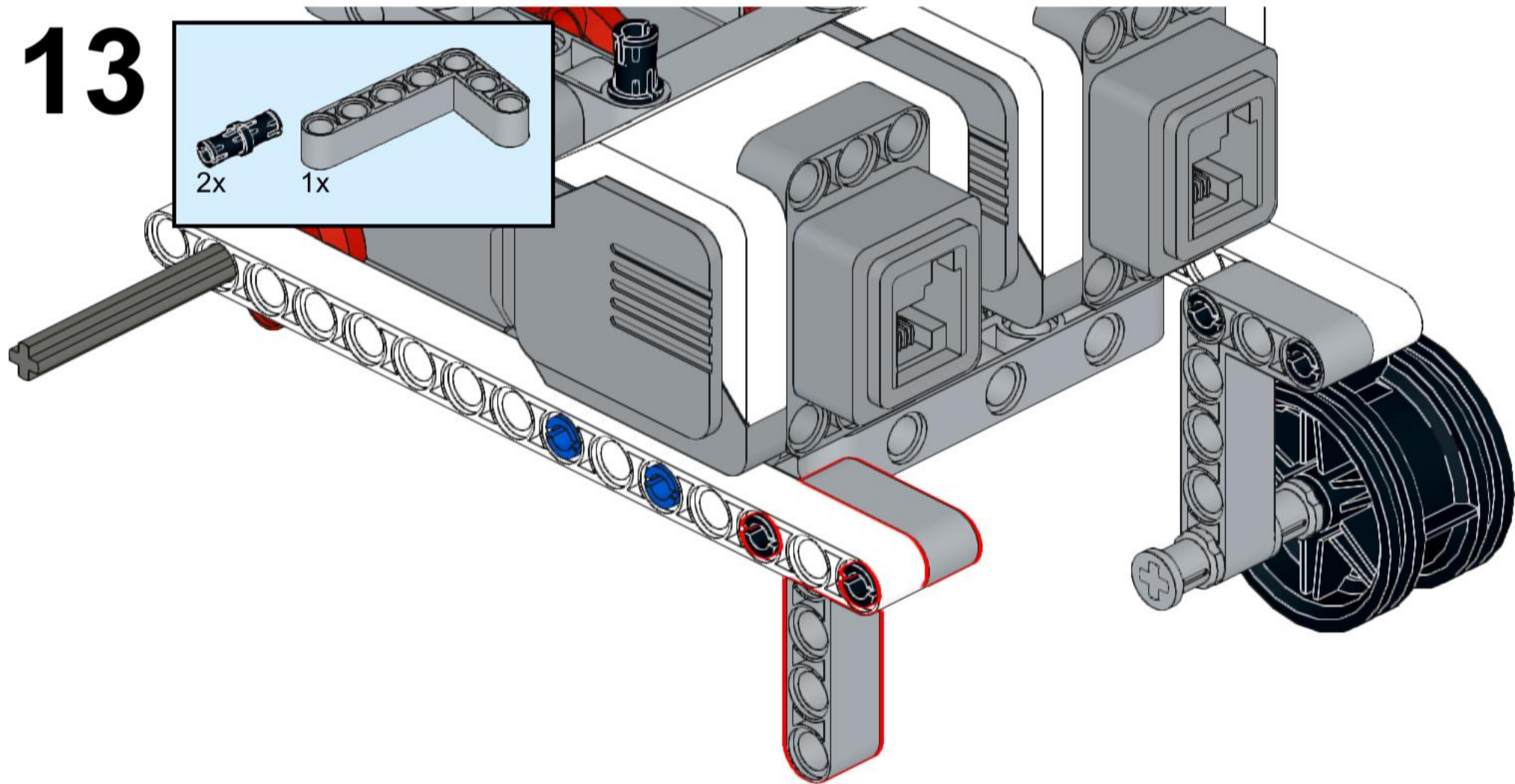
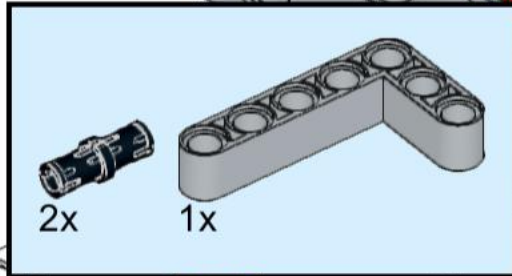
11



12



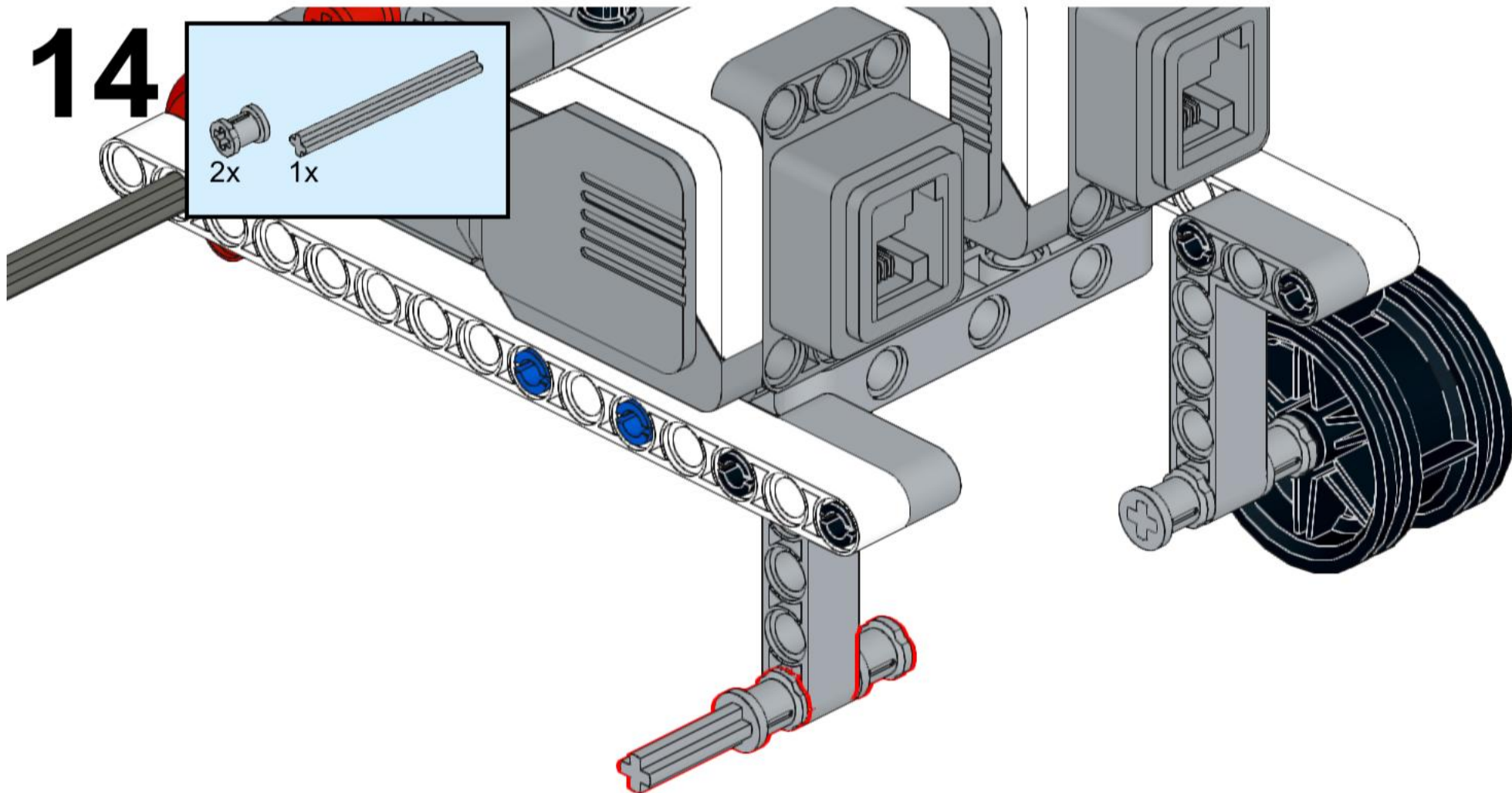
13



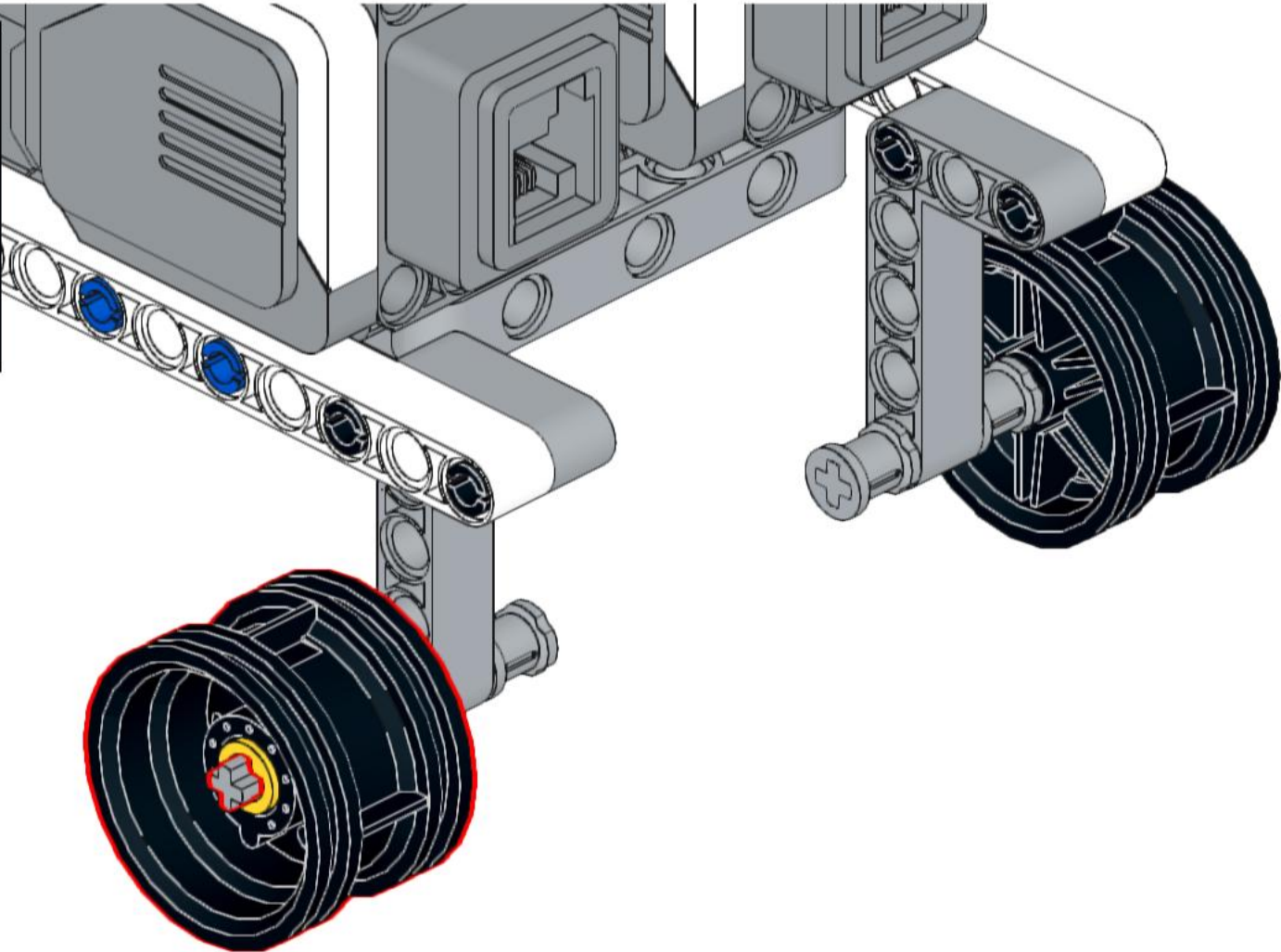
14

2x 1x

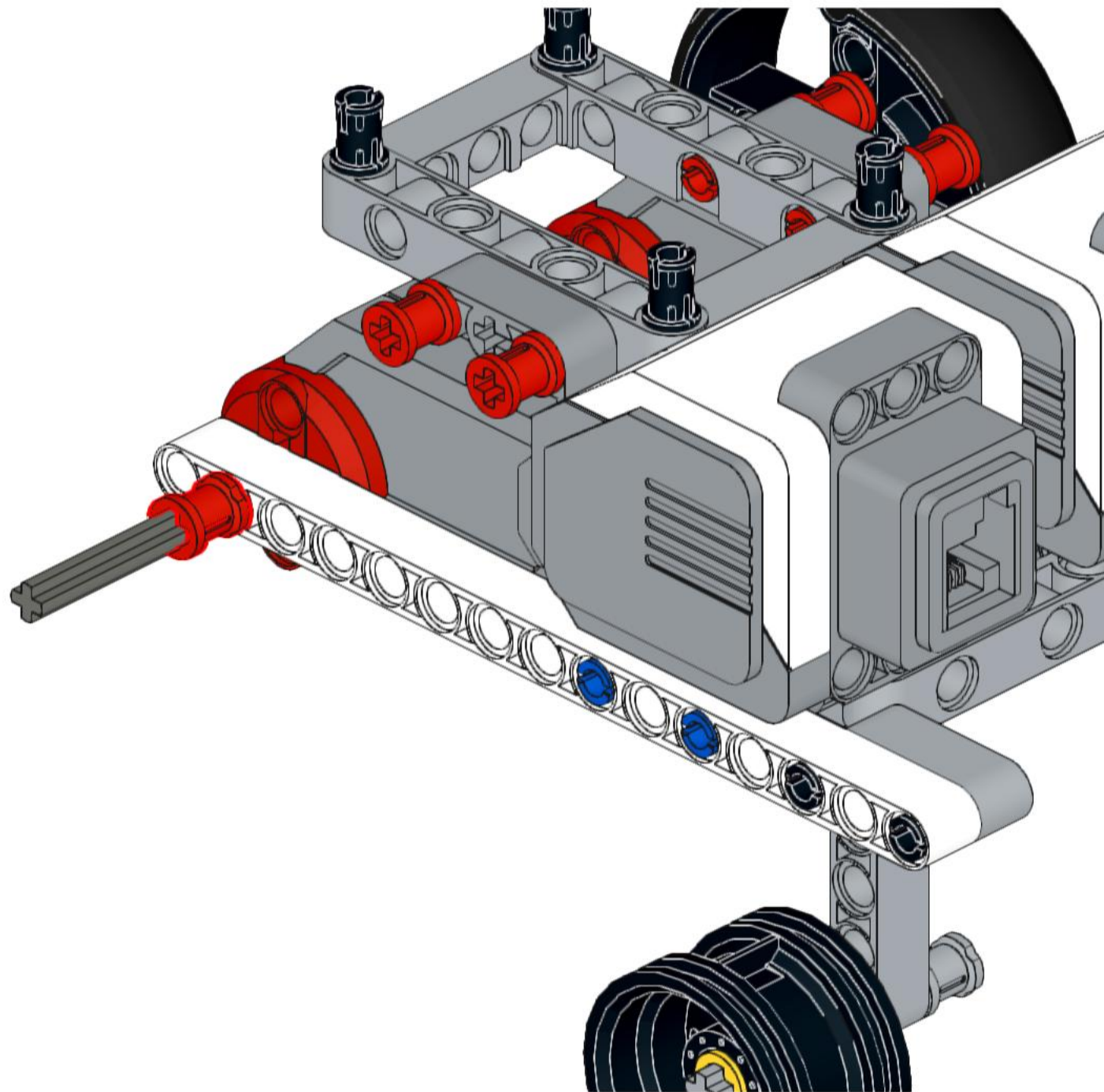
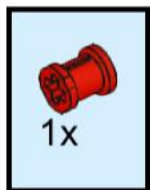
This inset box shows two small grey pins and one long grey axle. The pins are positioned to the left of the axle. The text '2x' is located below the pins, and '1x' is located below the axle.



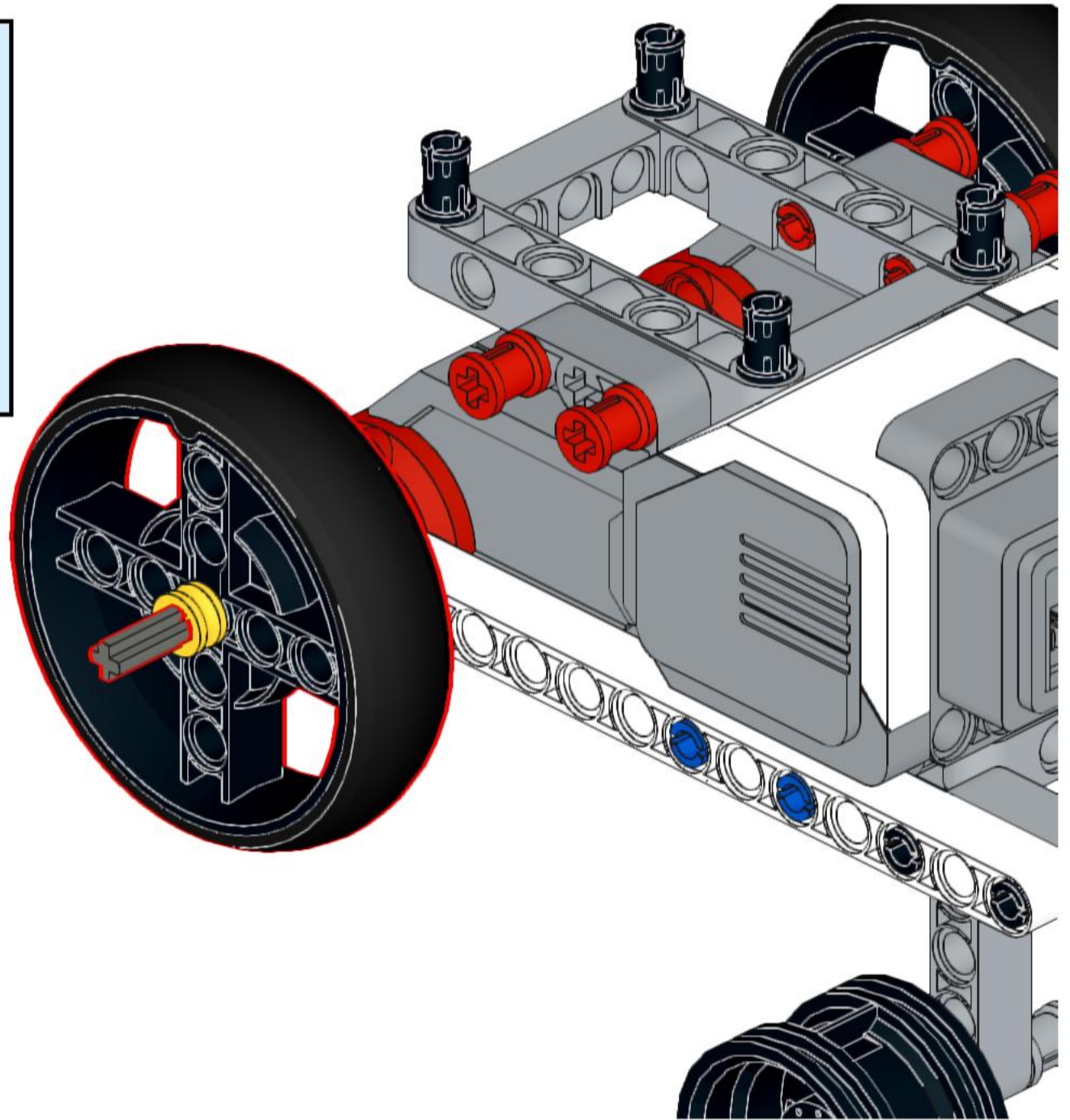
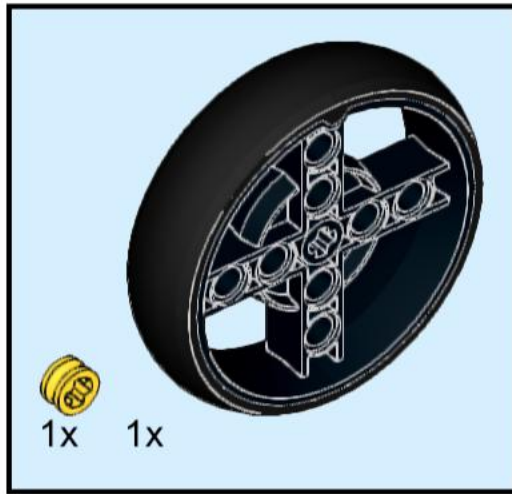
15



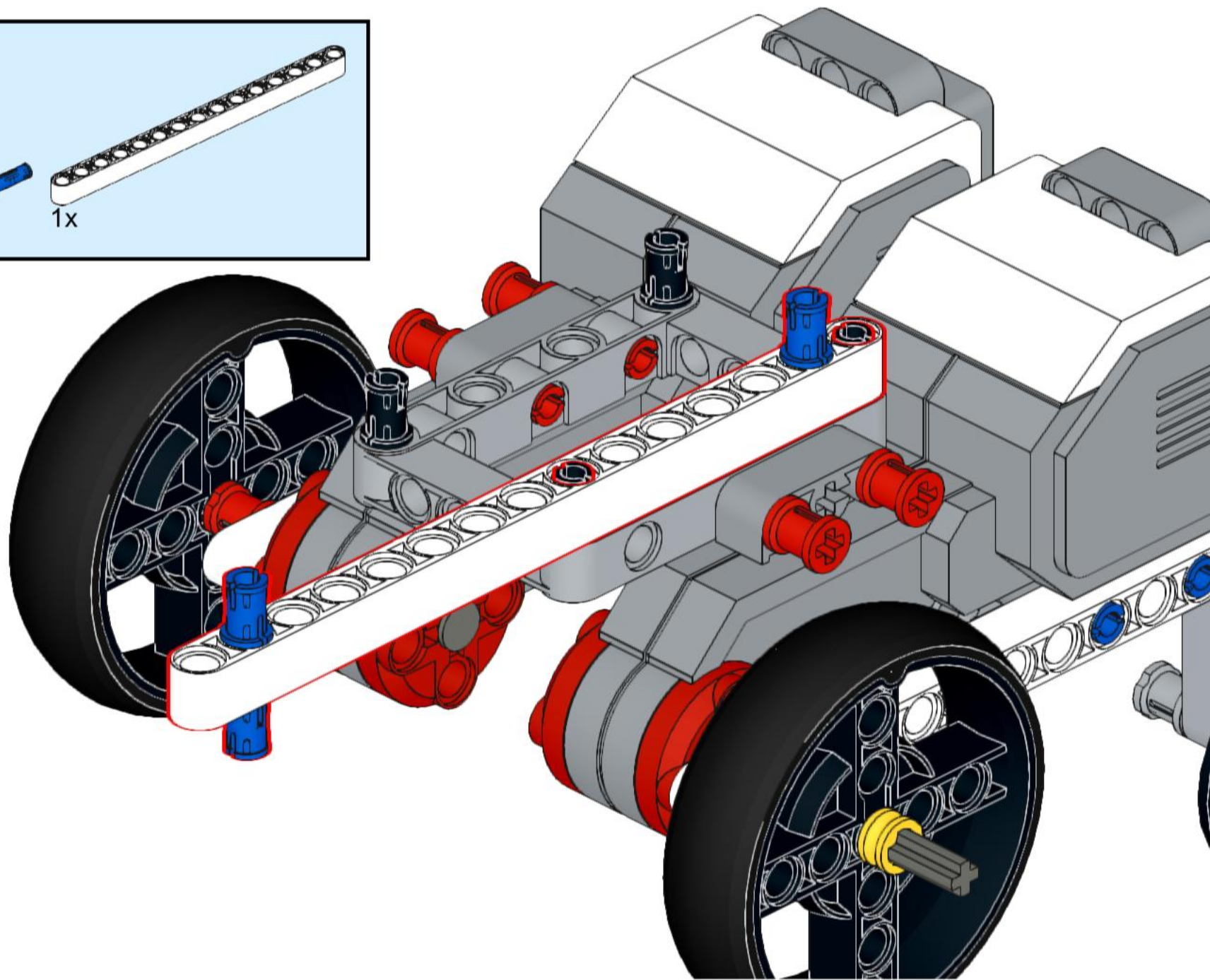
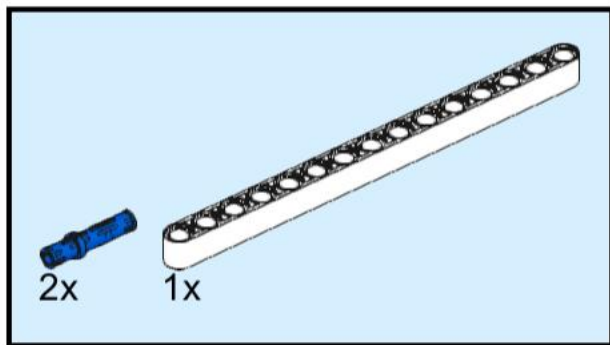
16



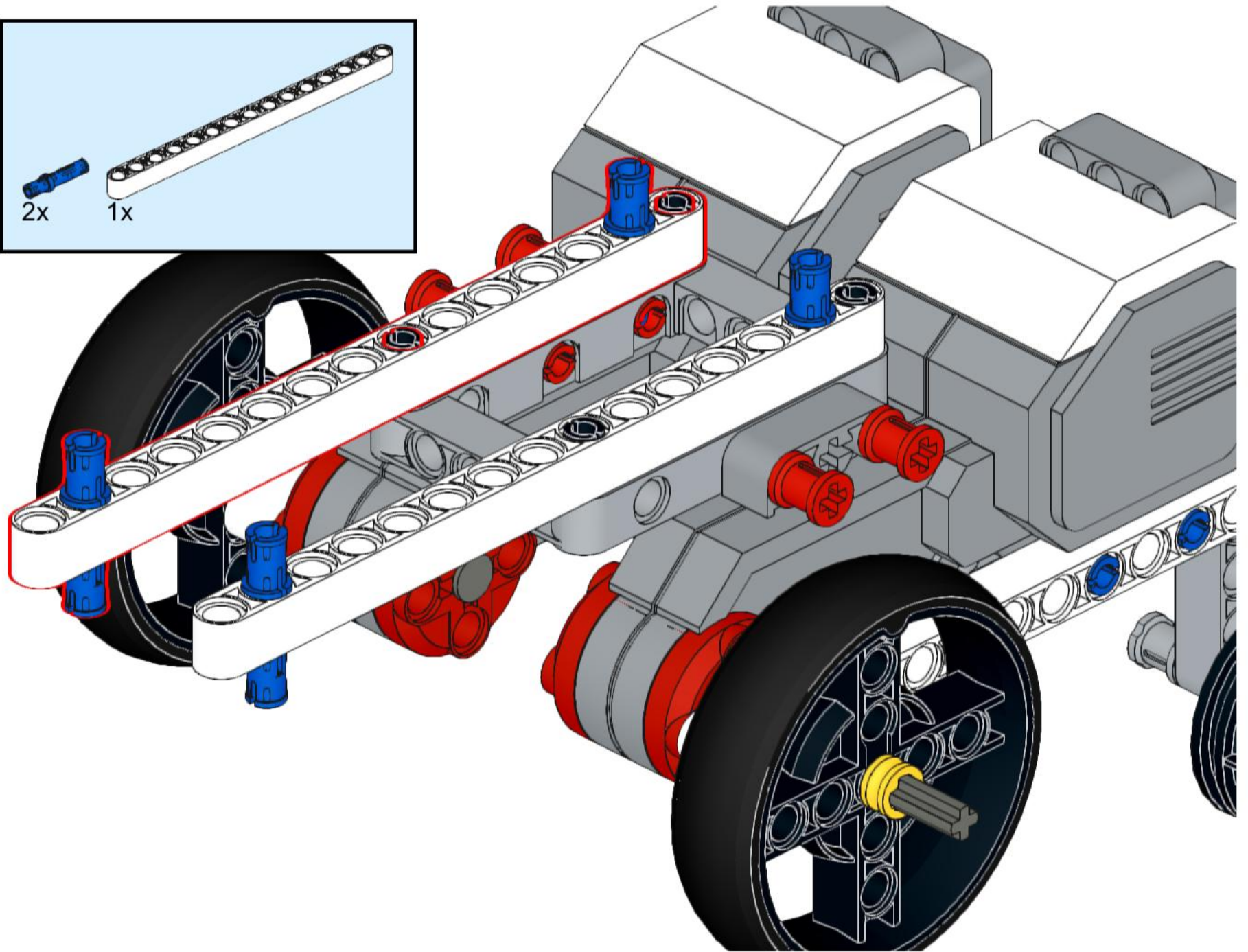
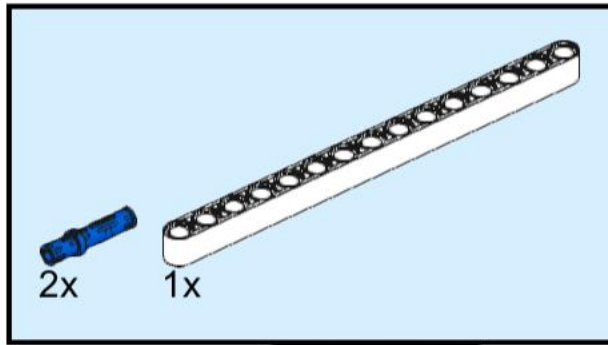
17



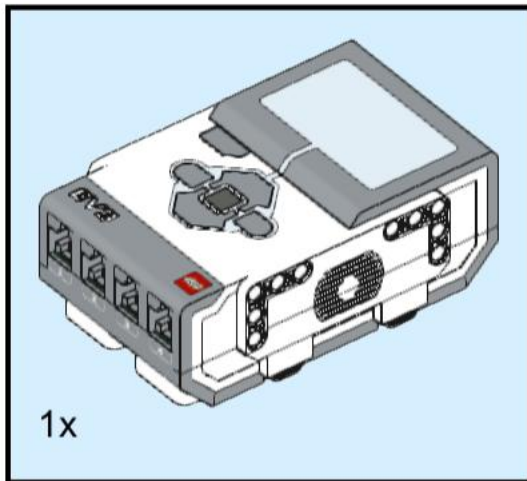
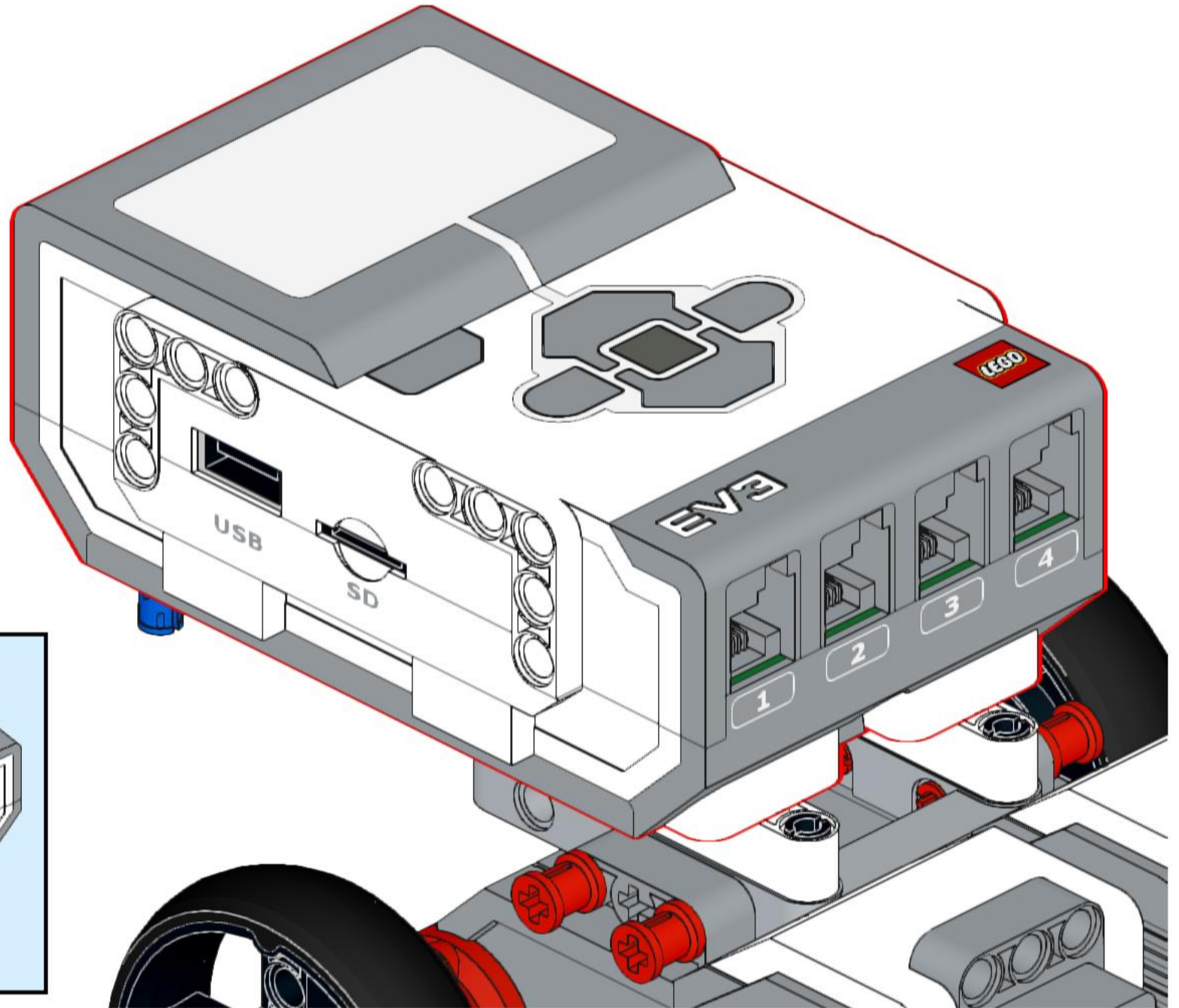
18



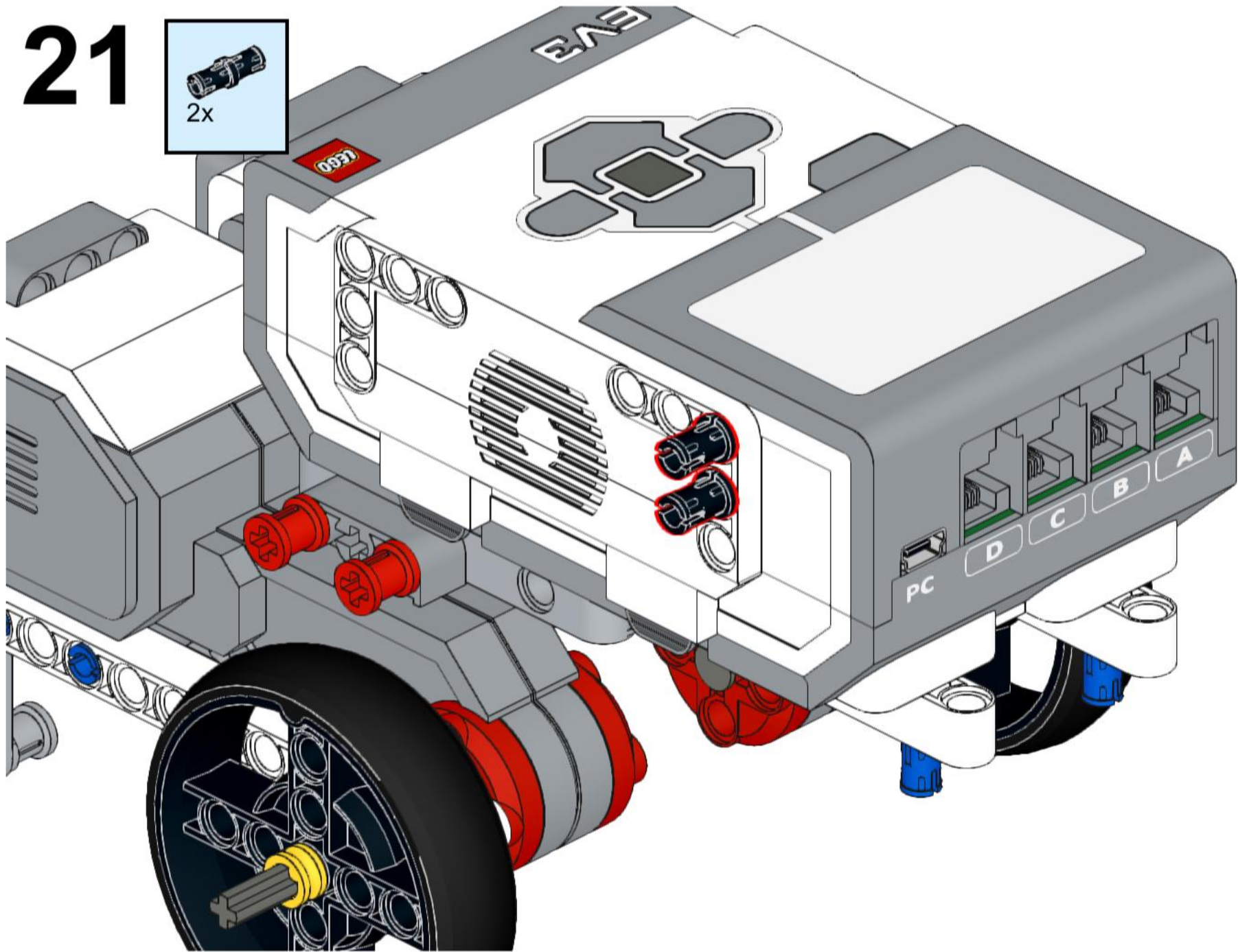
19



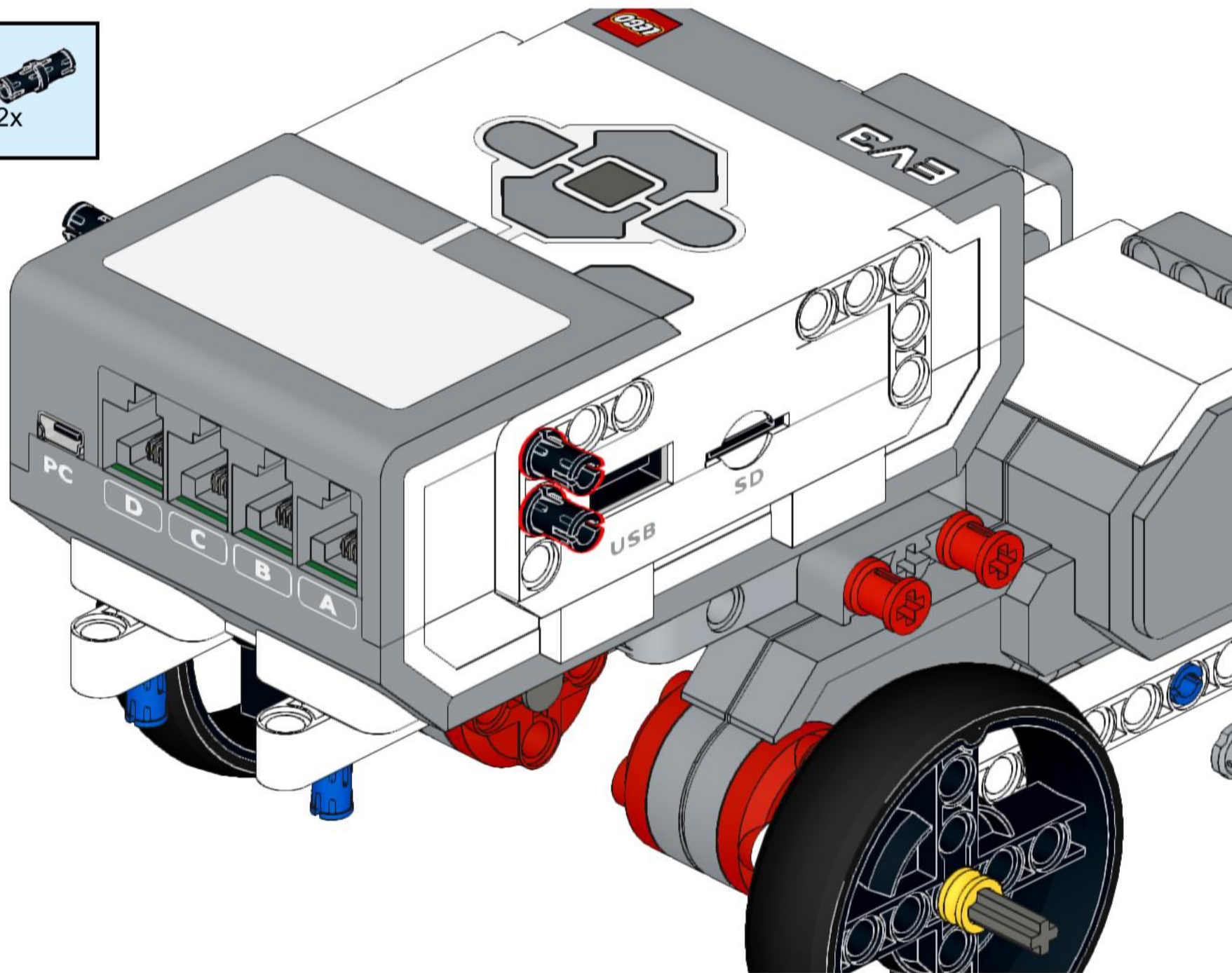
20



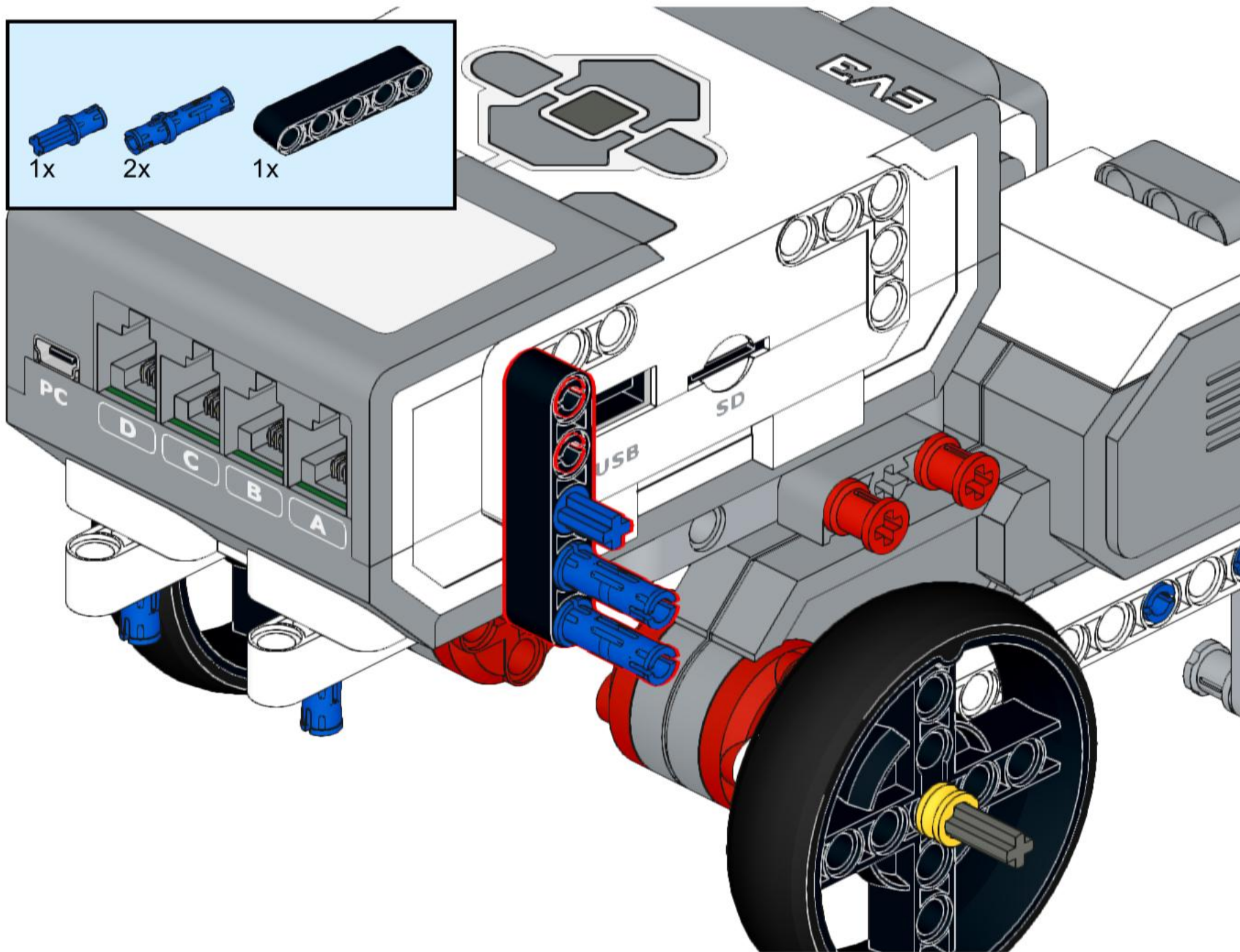
21



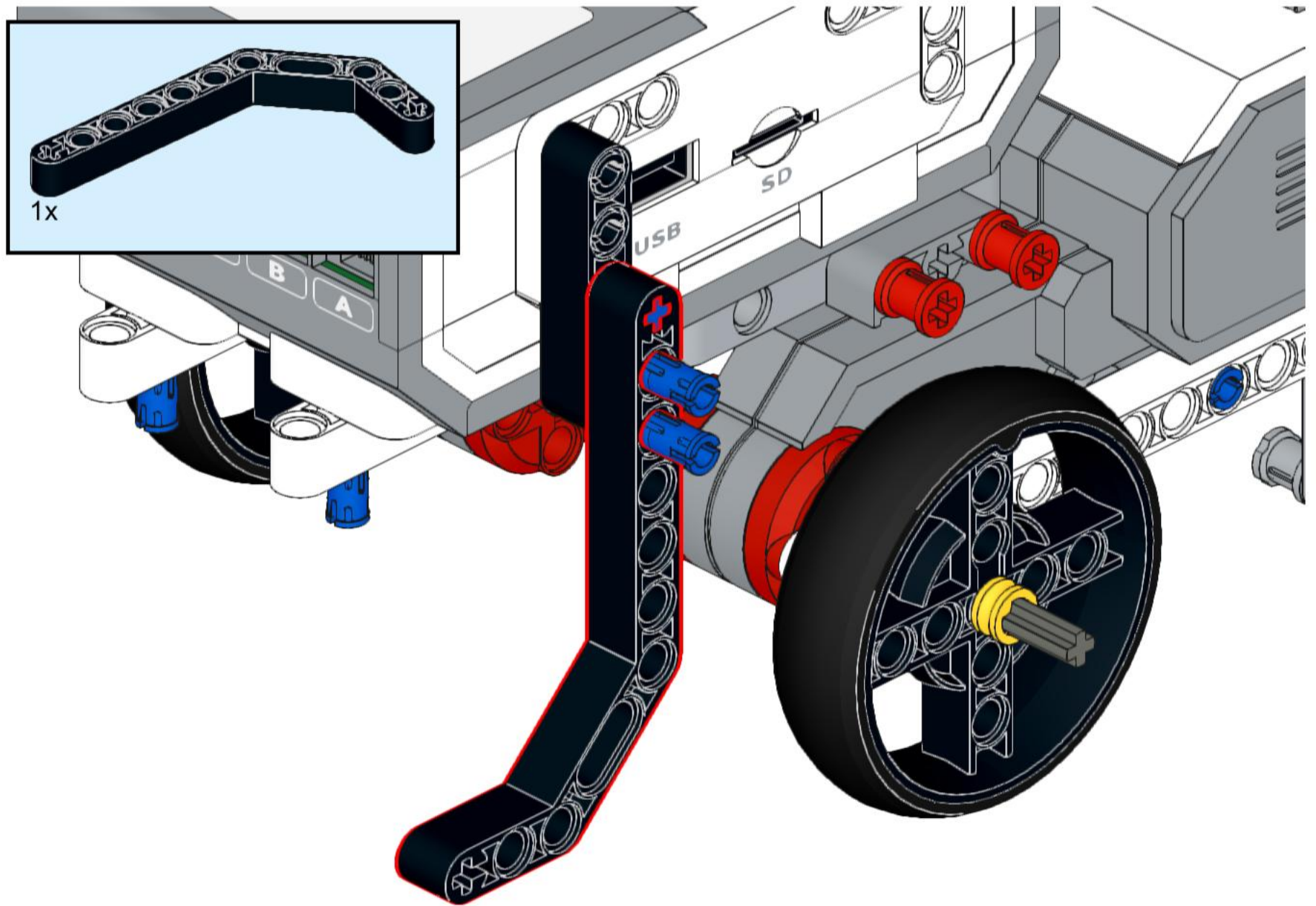
22



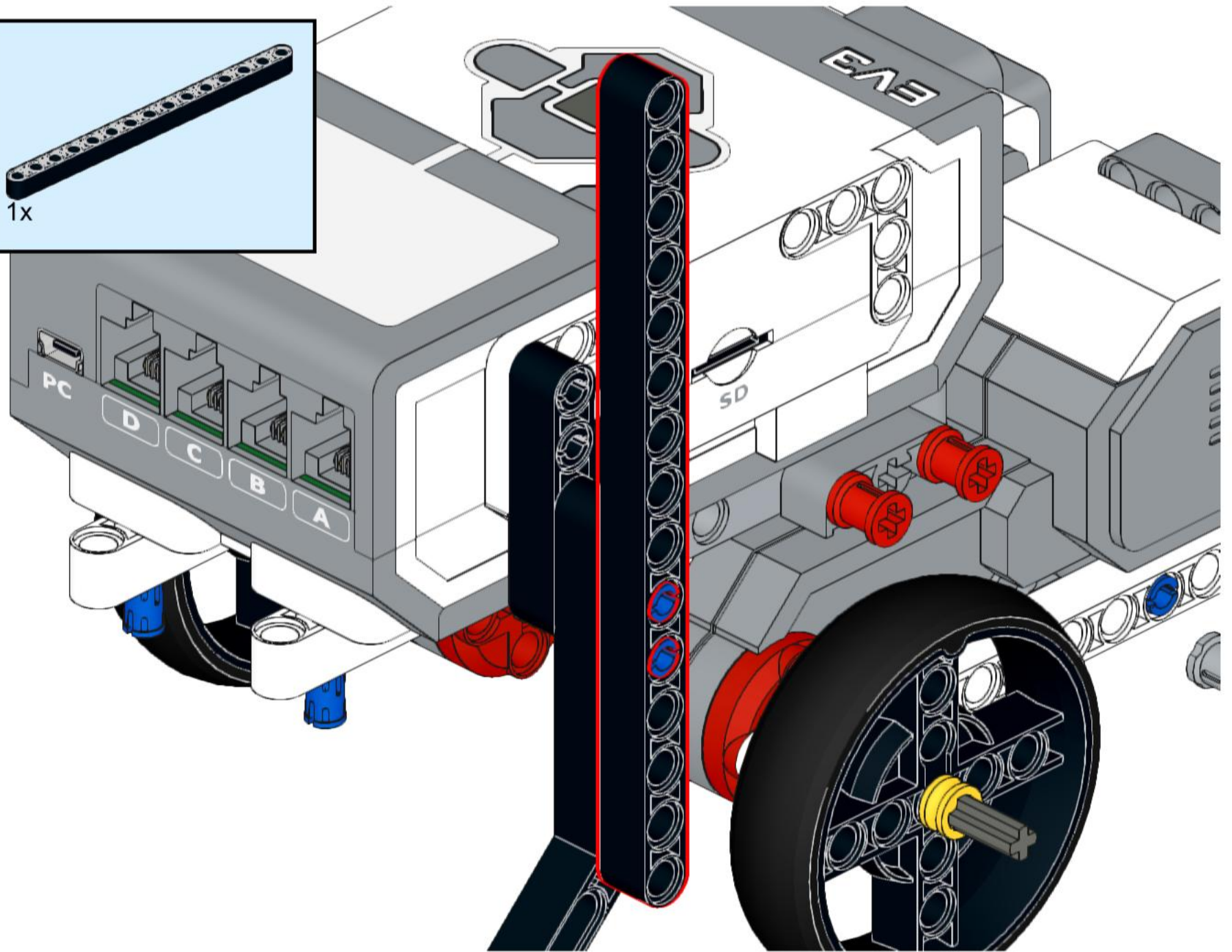
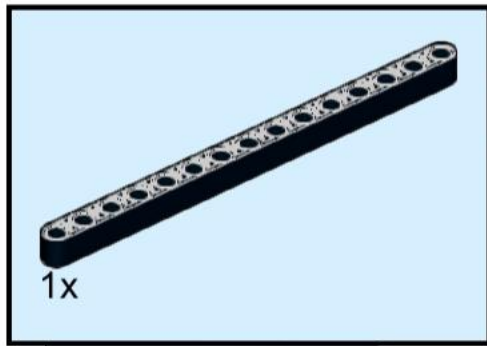
23



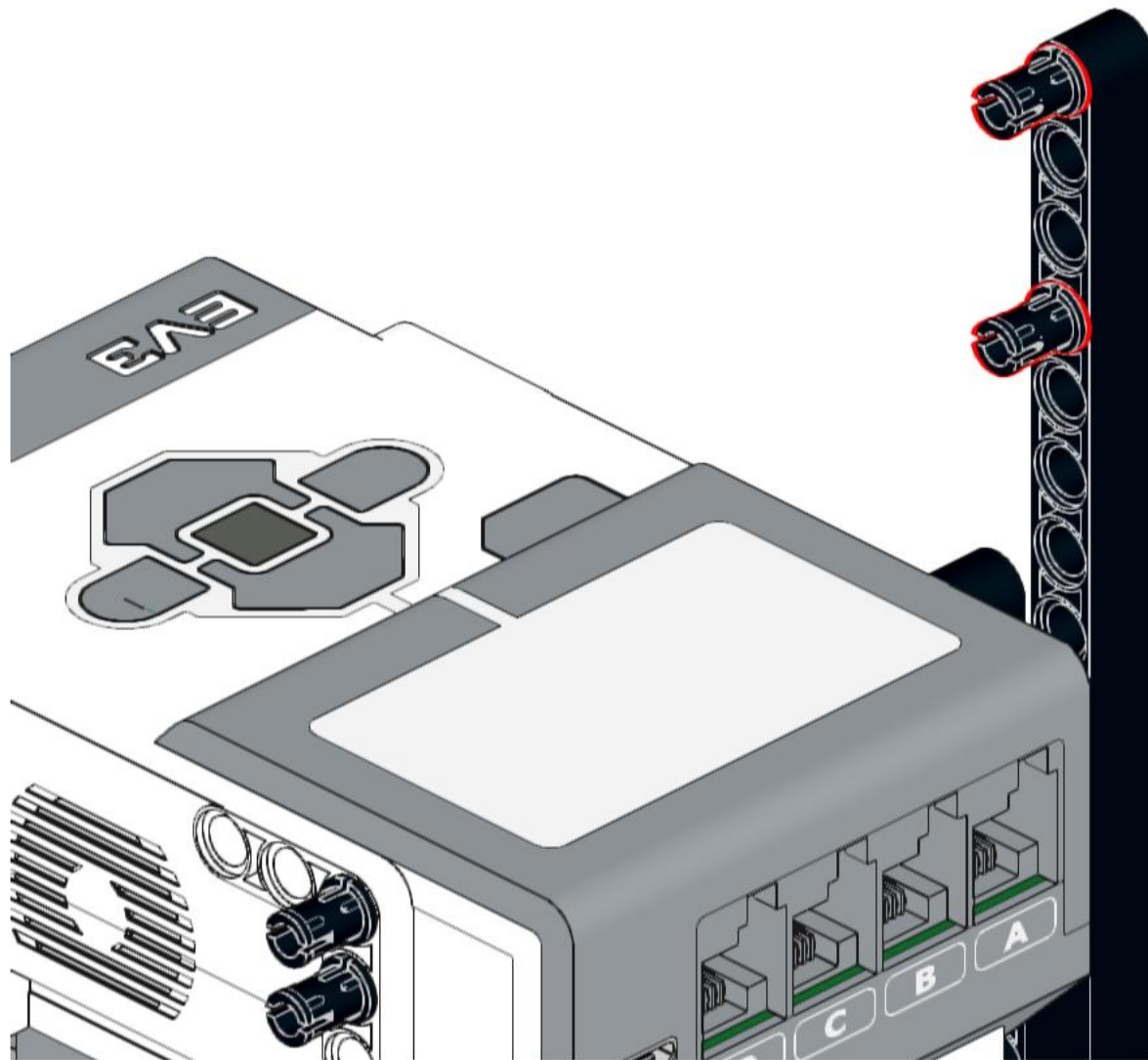
24



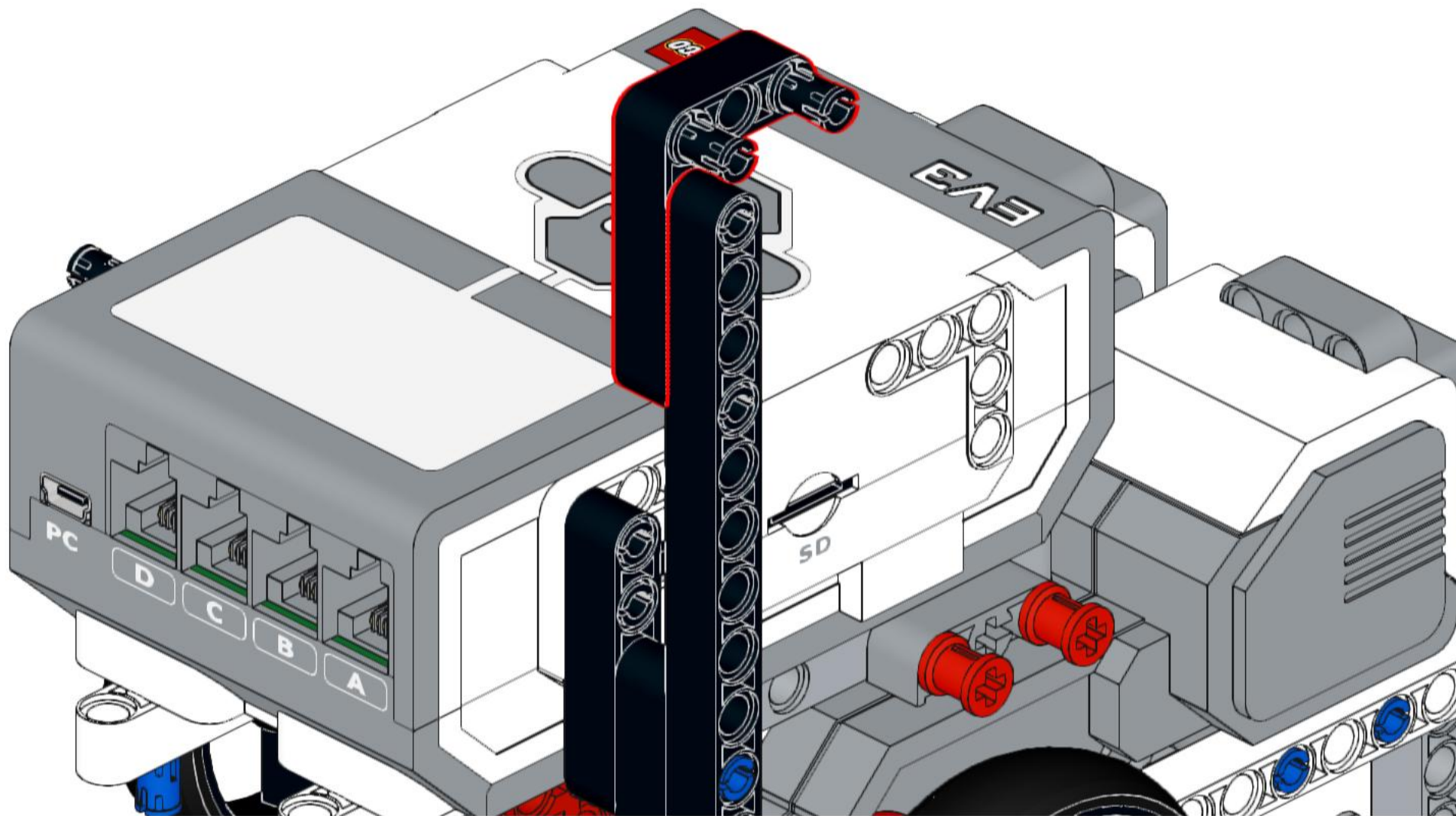
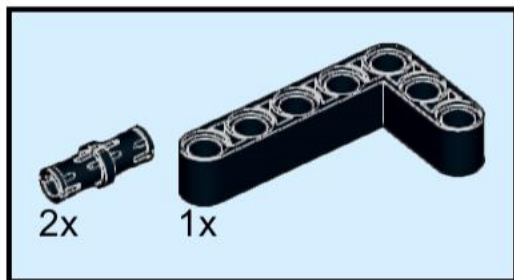
25



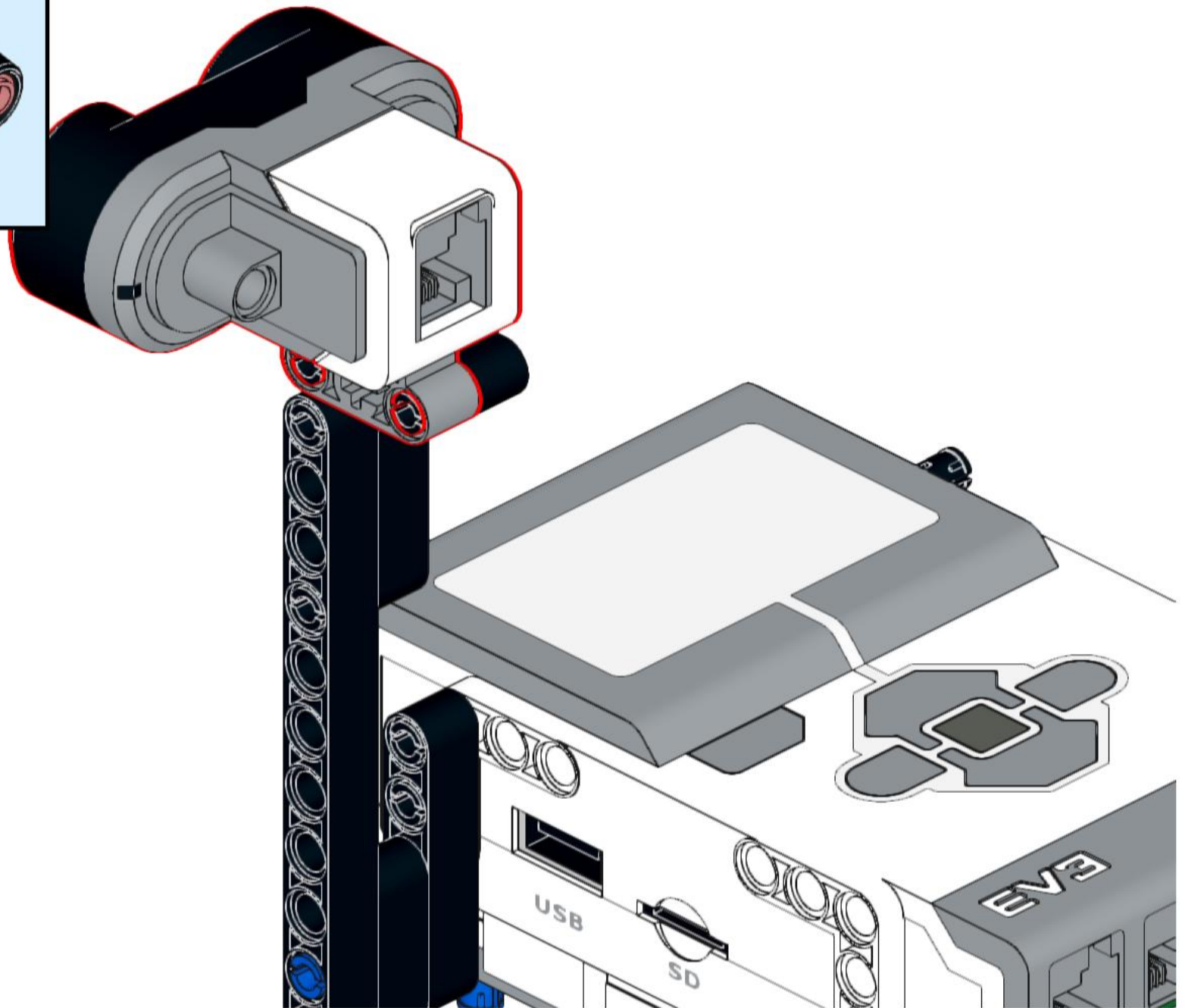
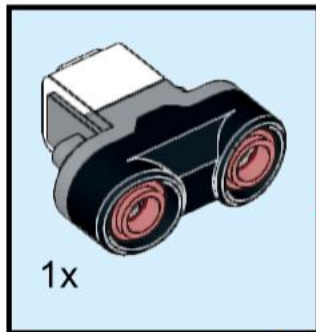
26



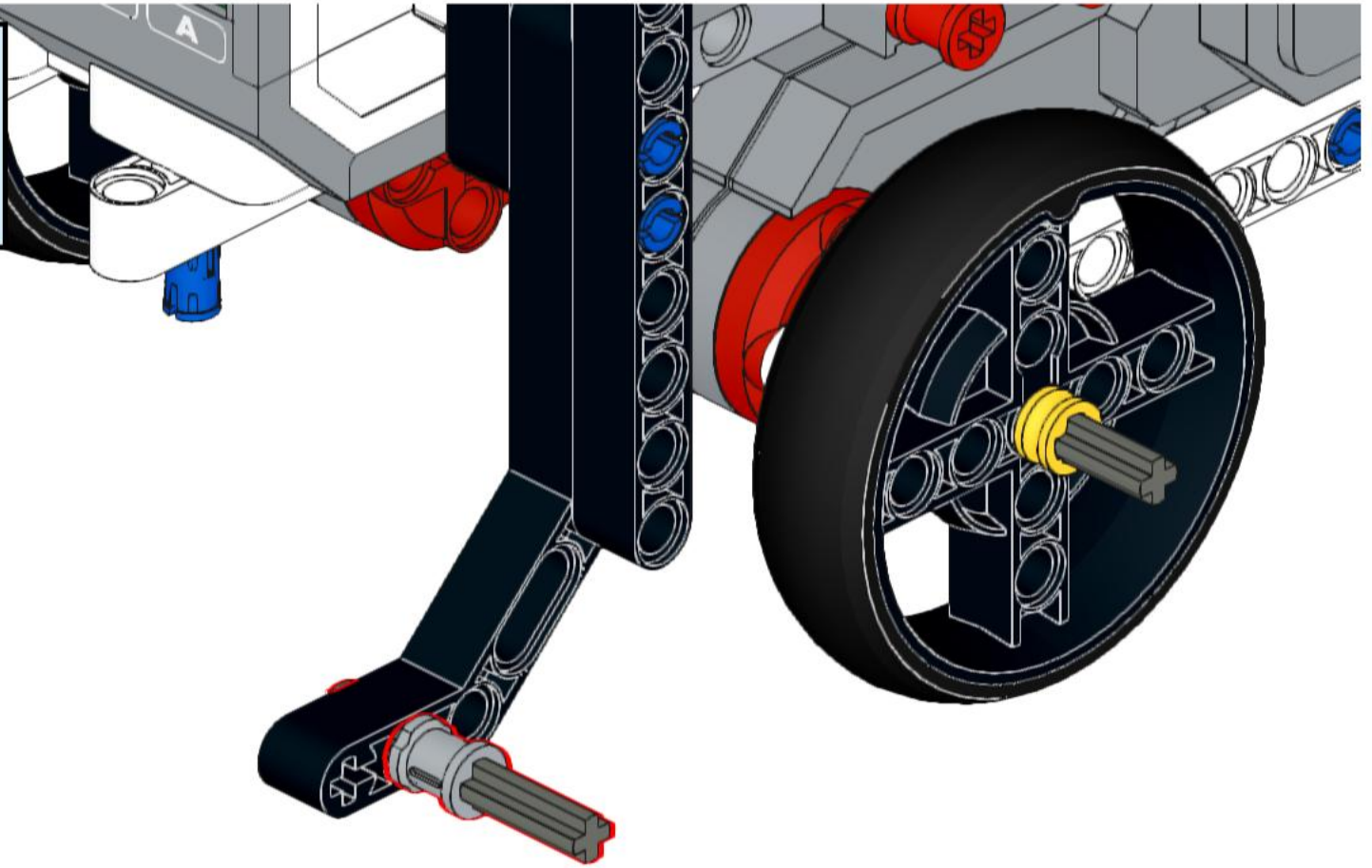
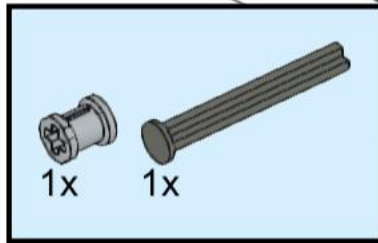
27



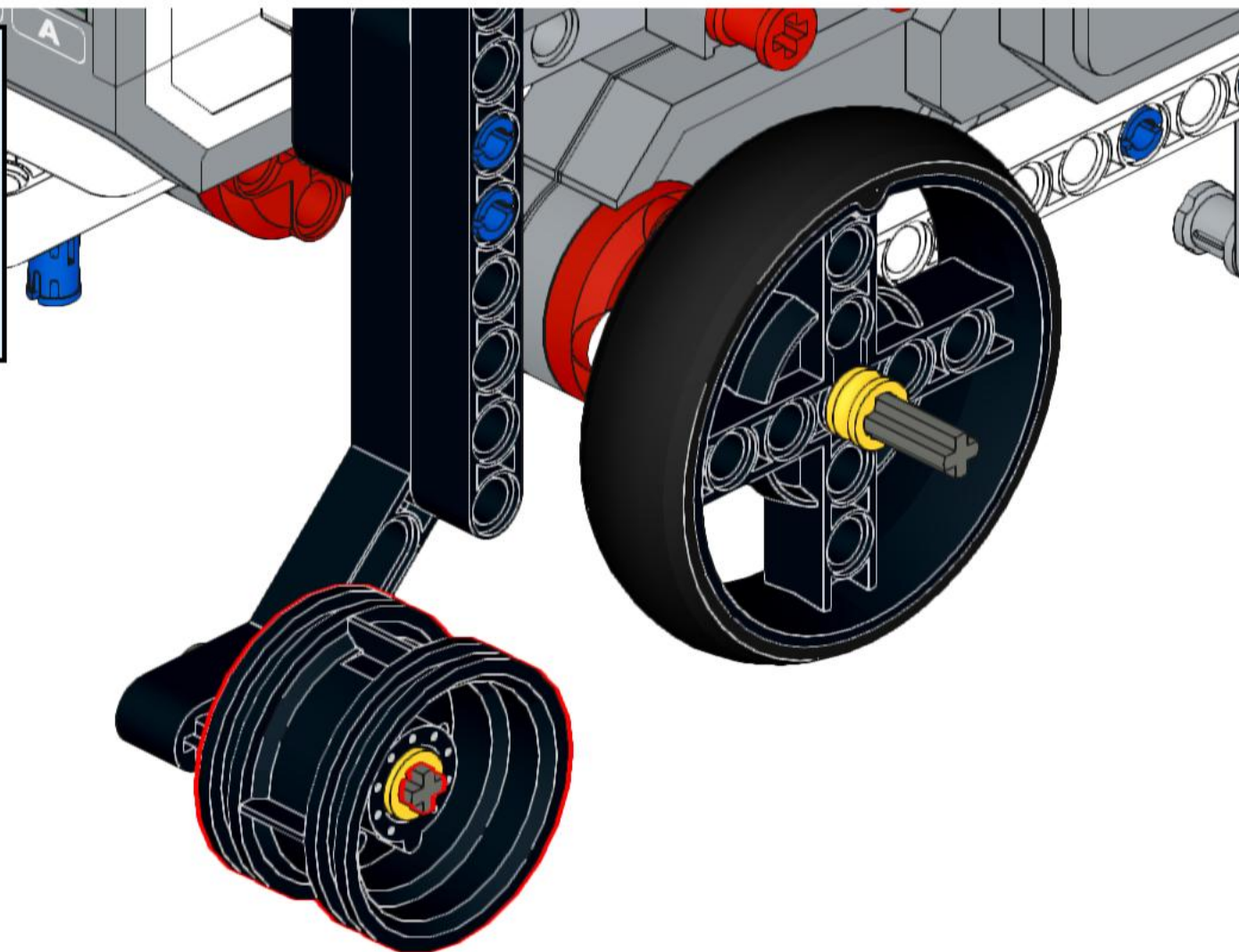
28



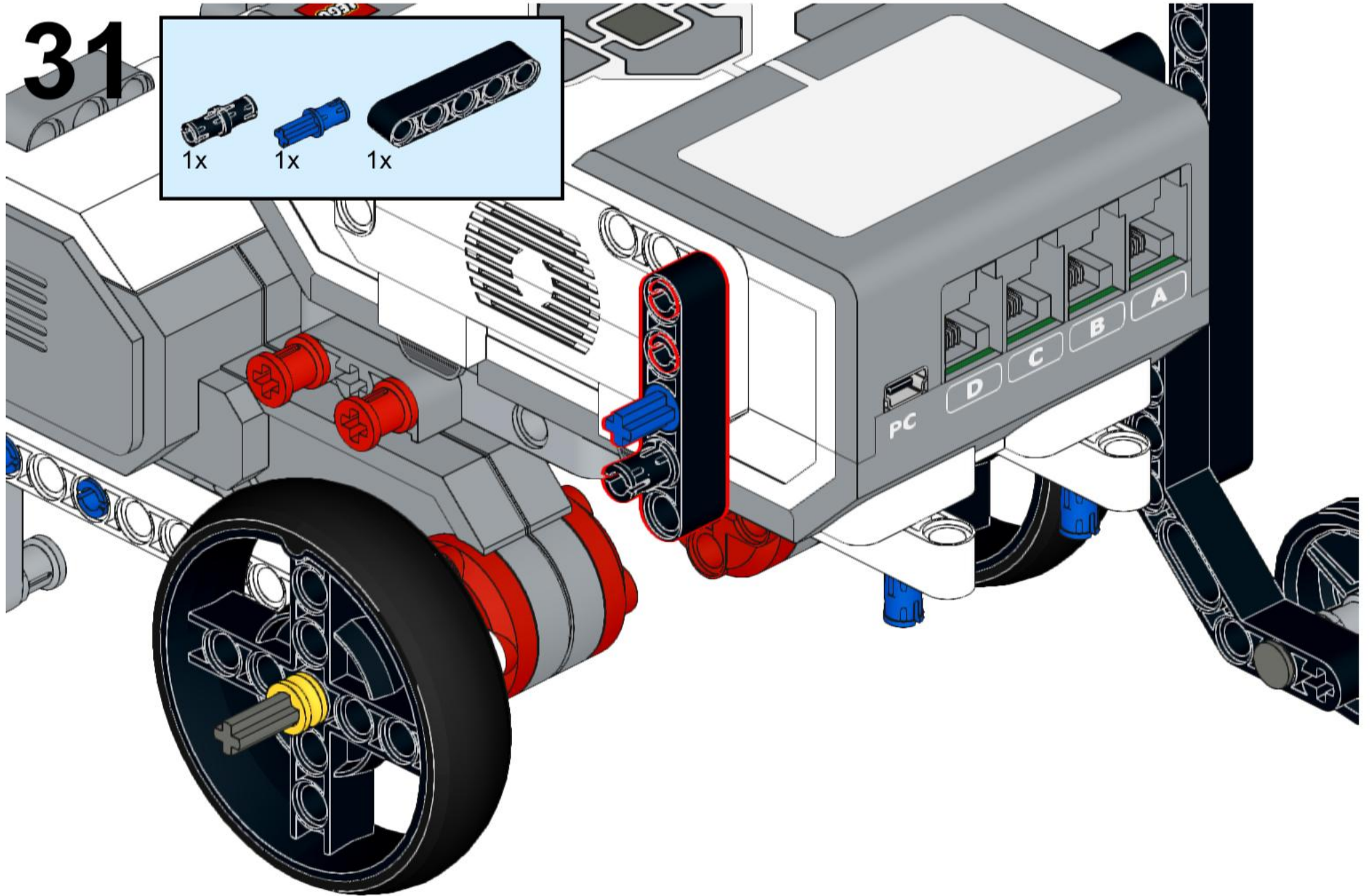
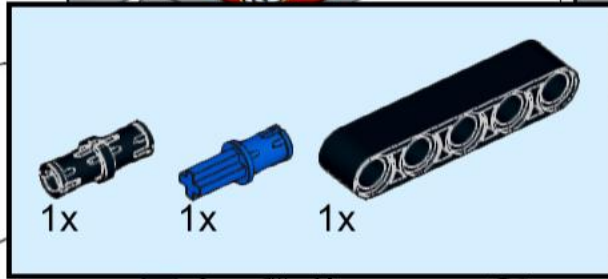
29



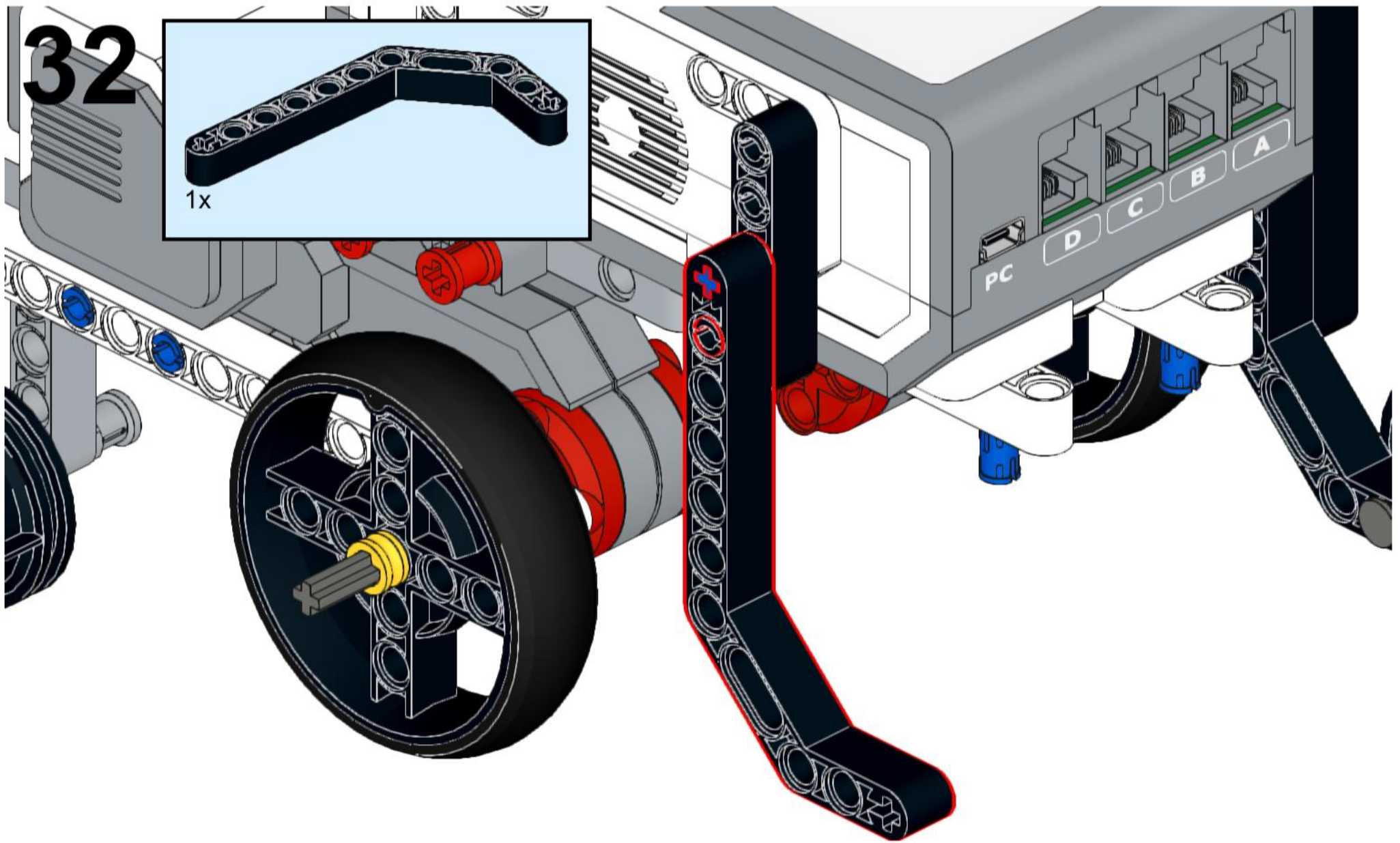
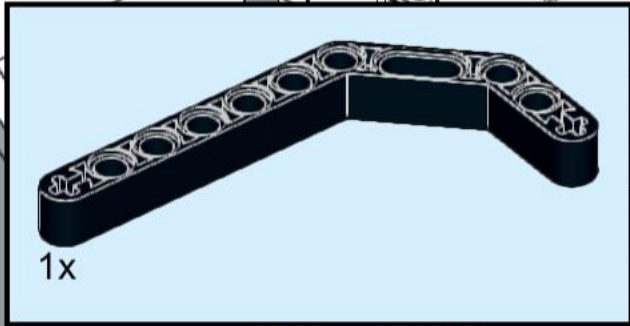
30



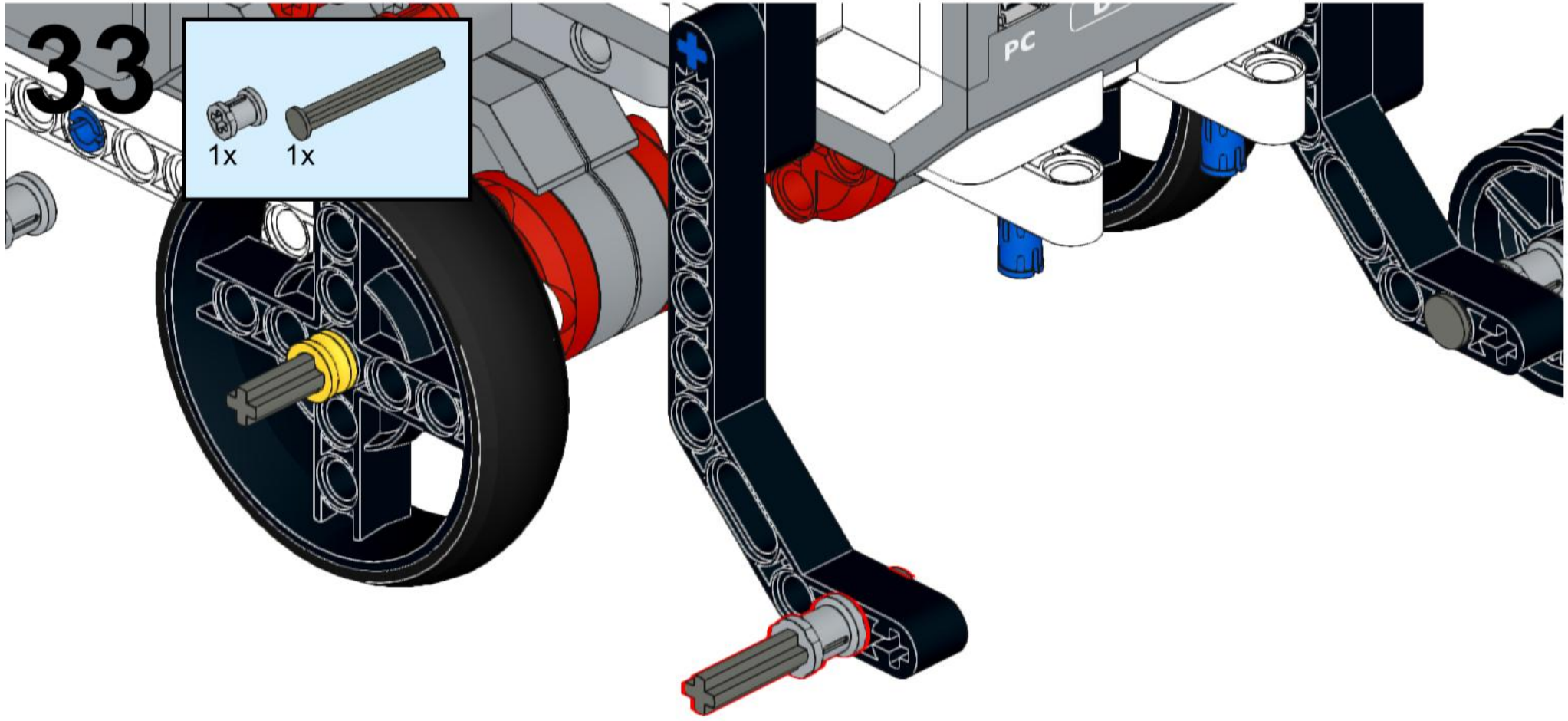
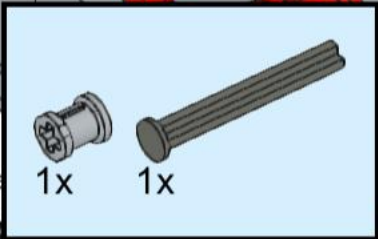
31



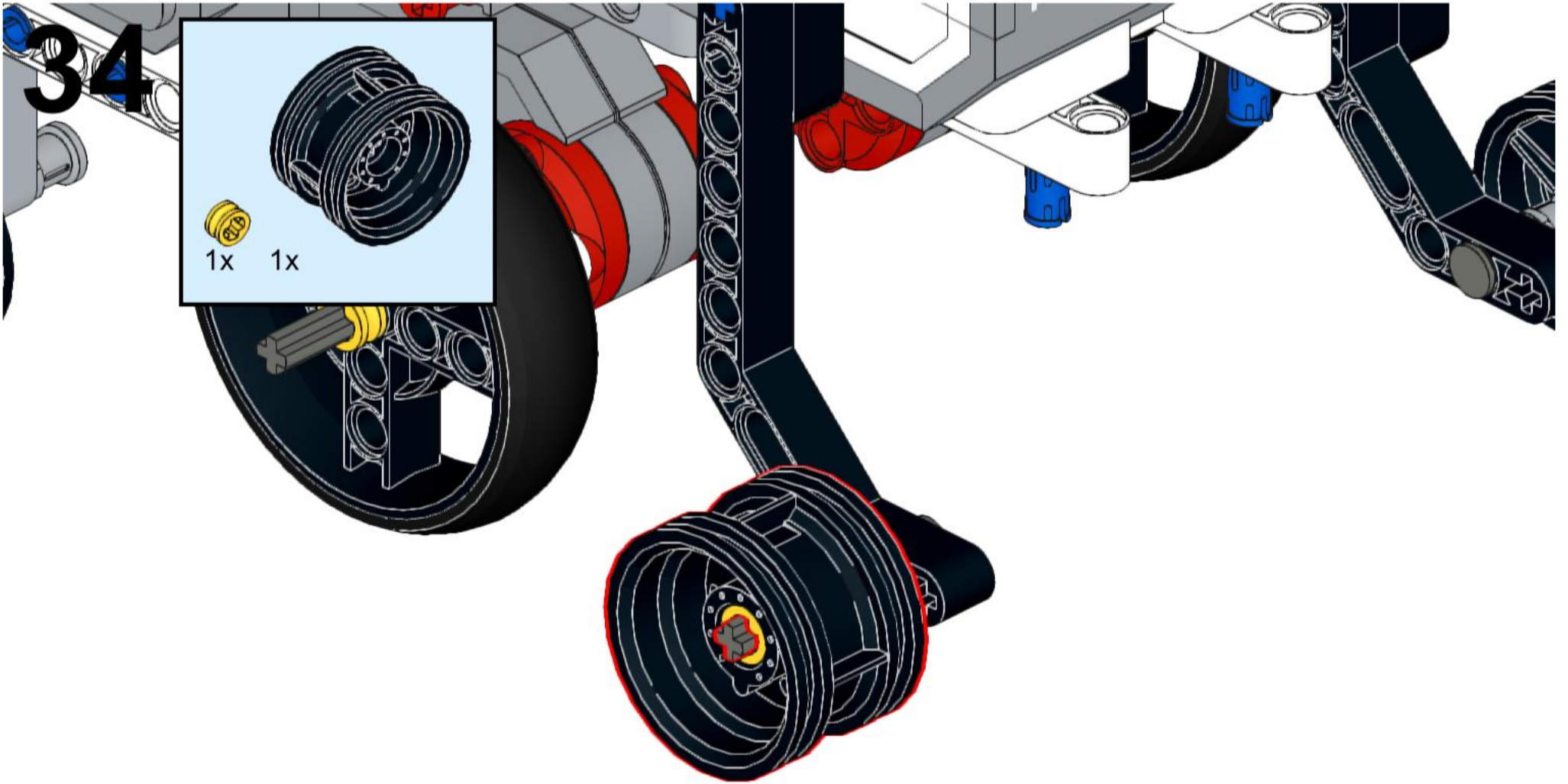
32



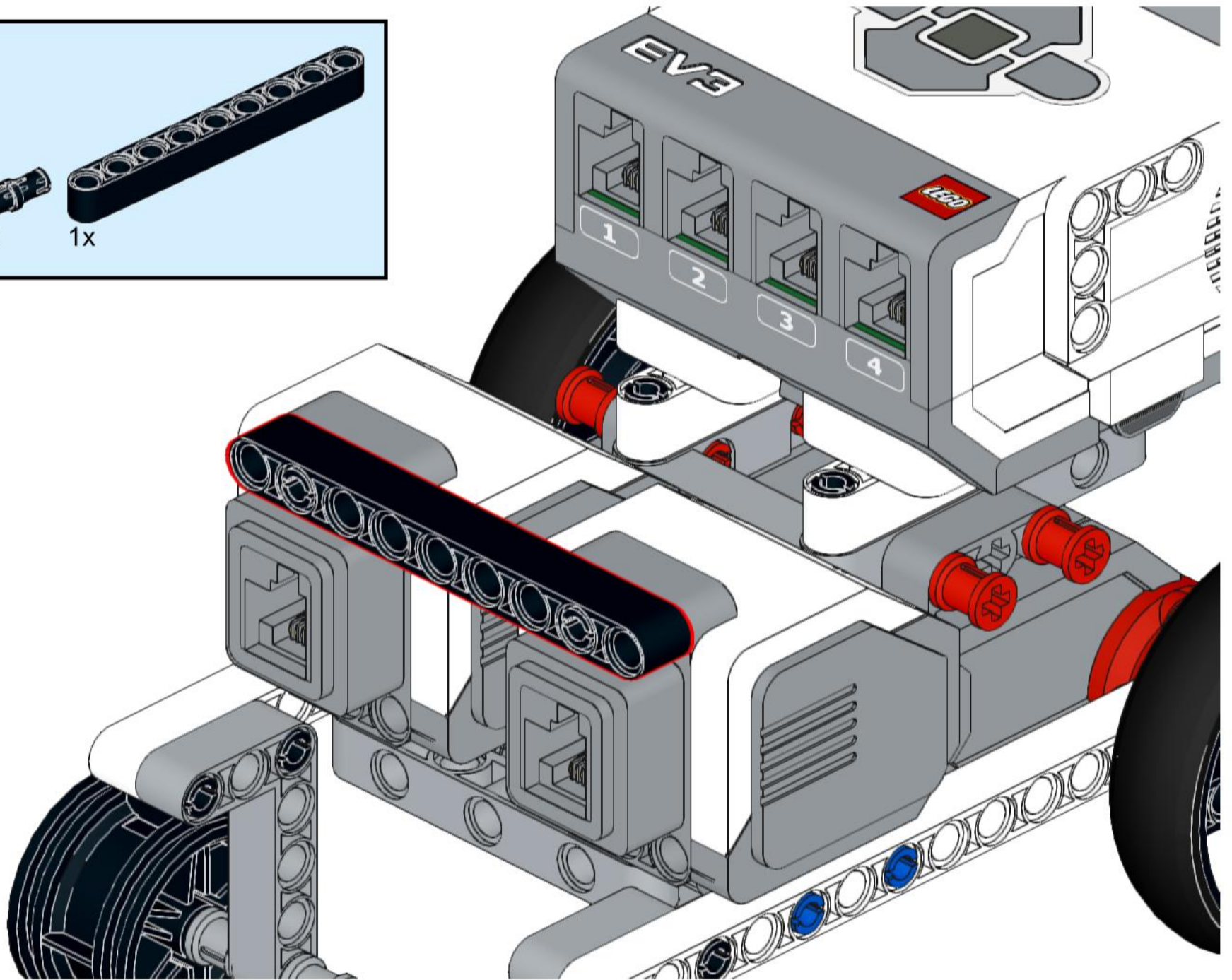
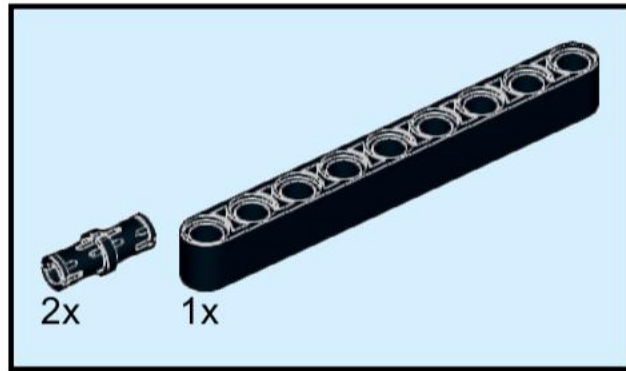
33



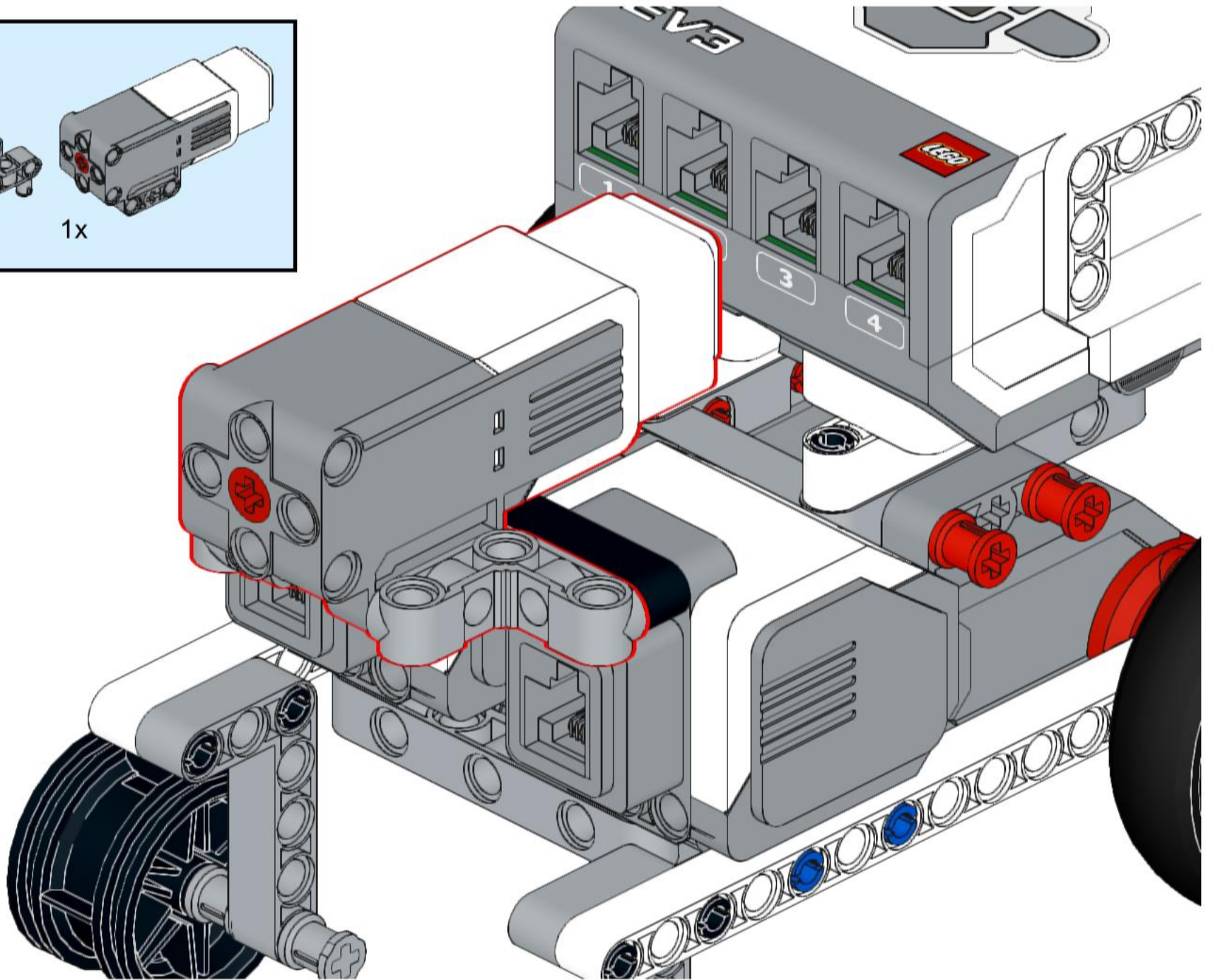
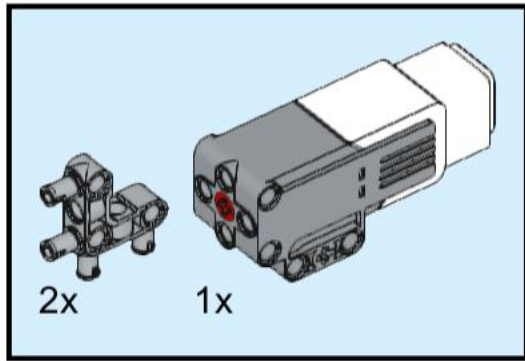
34



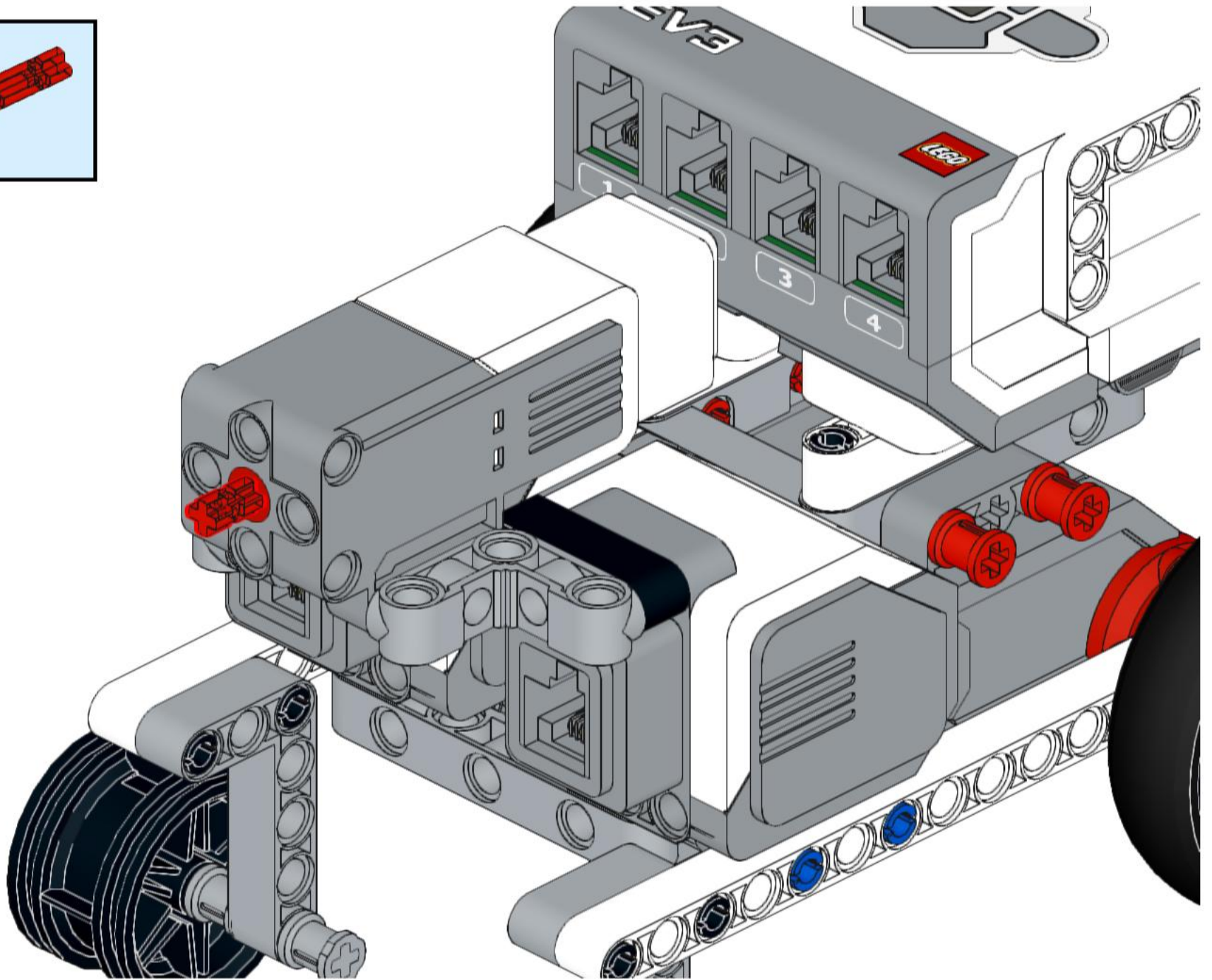
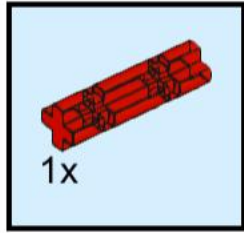
35



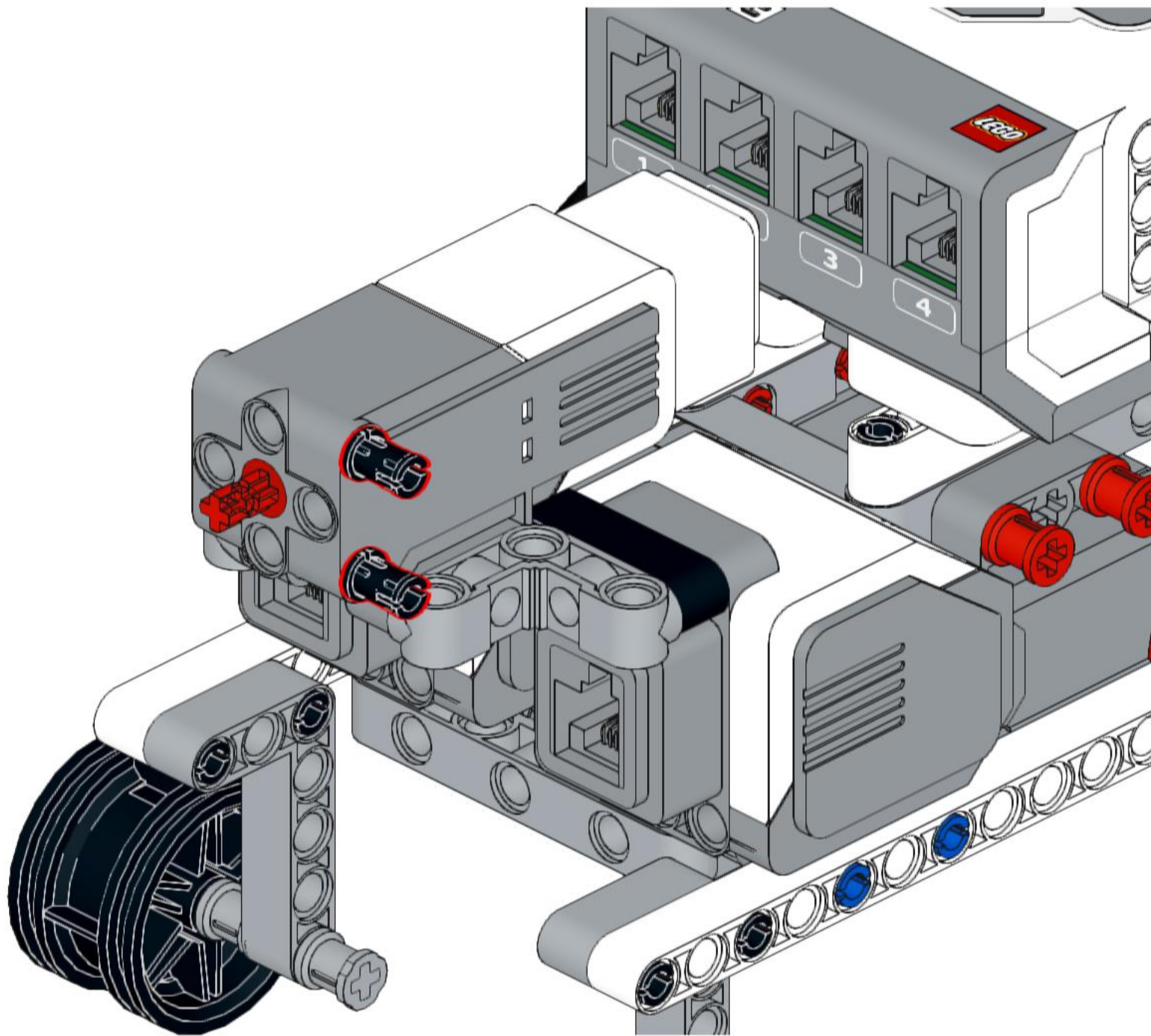
36



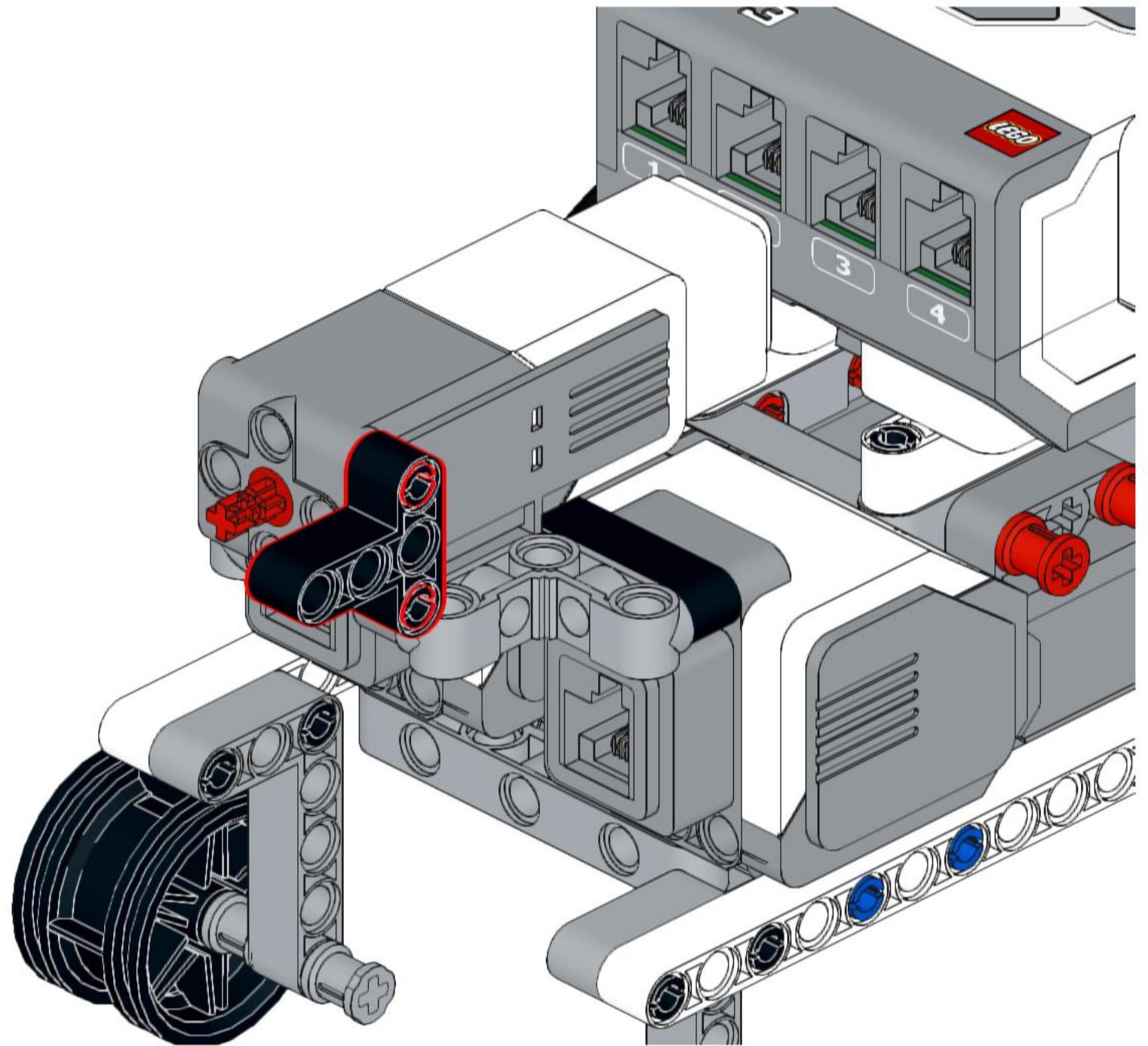
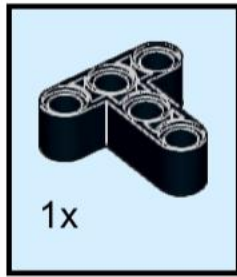
37



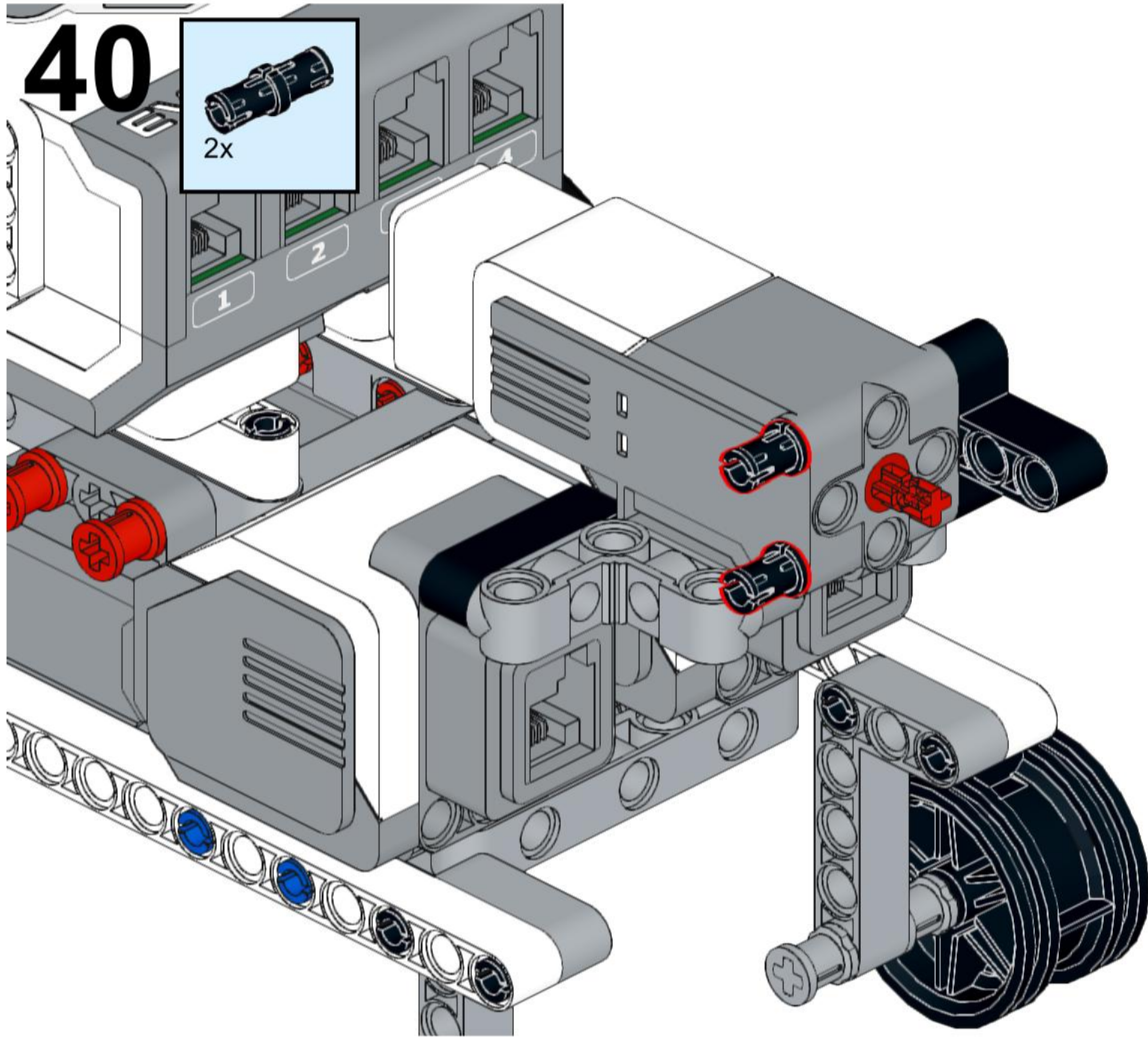
38



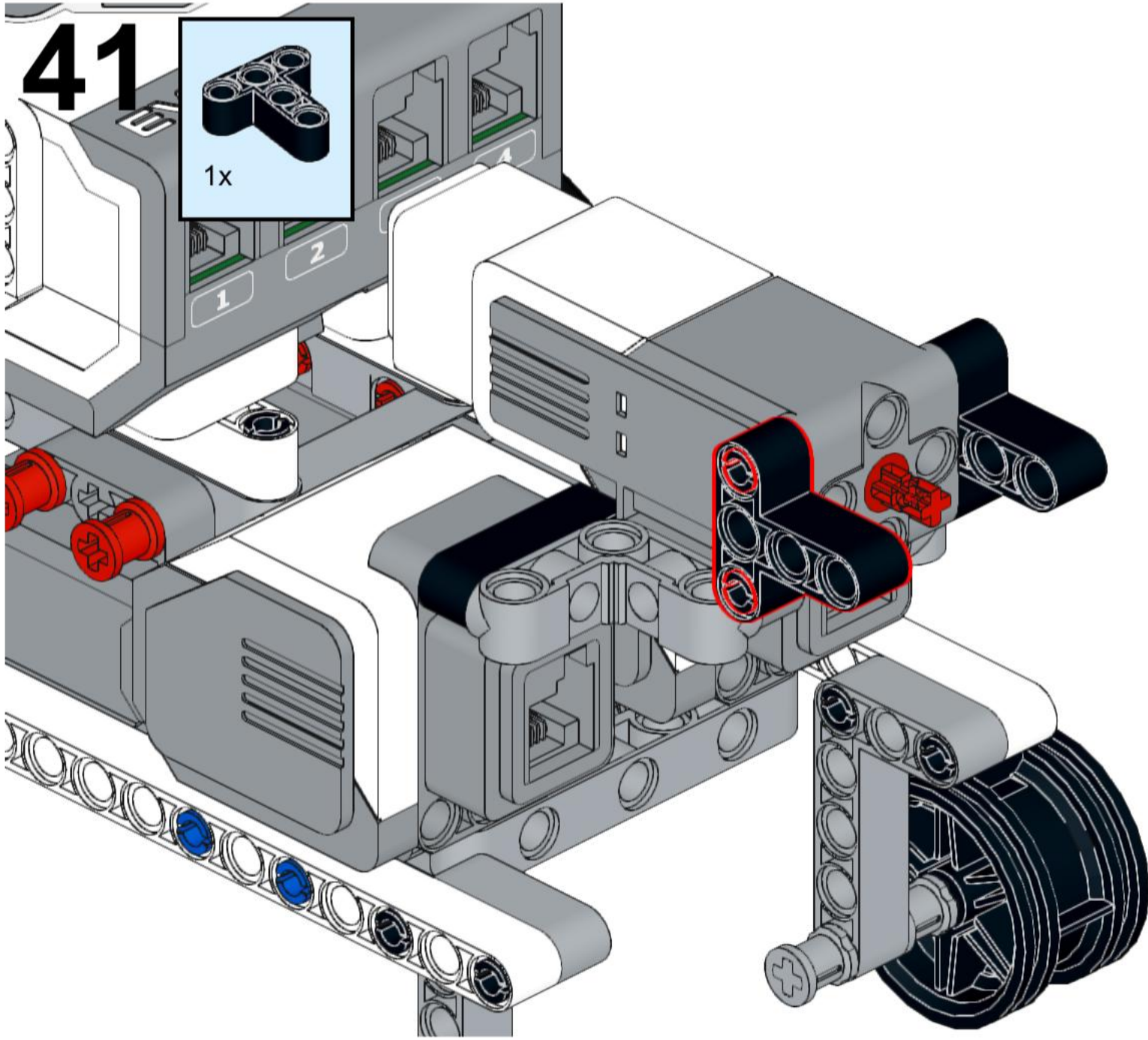
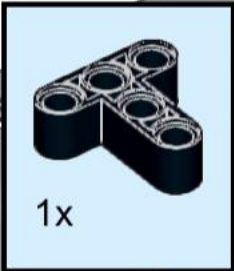
39



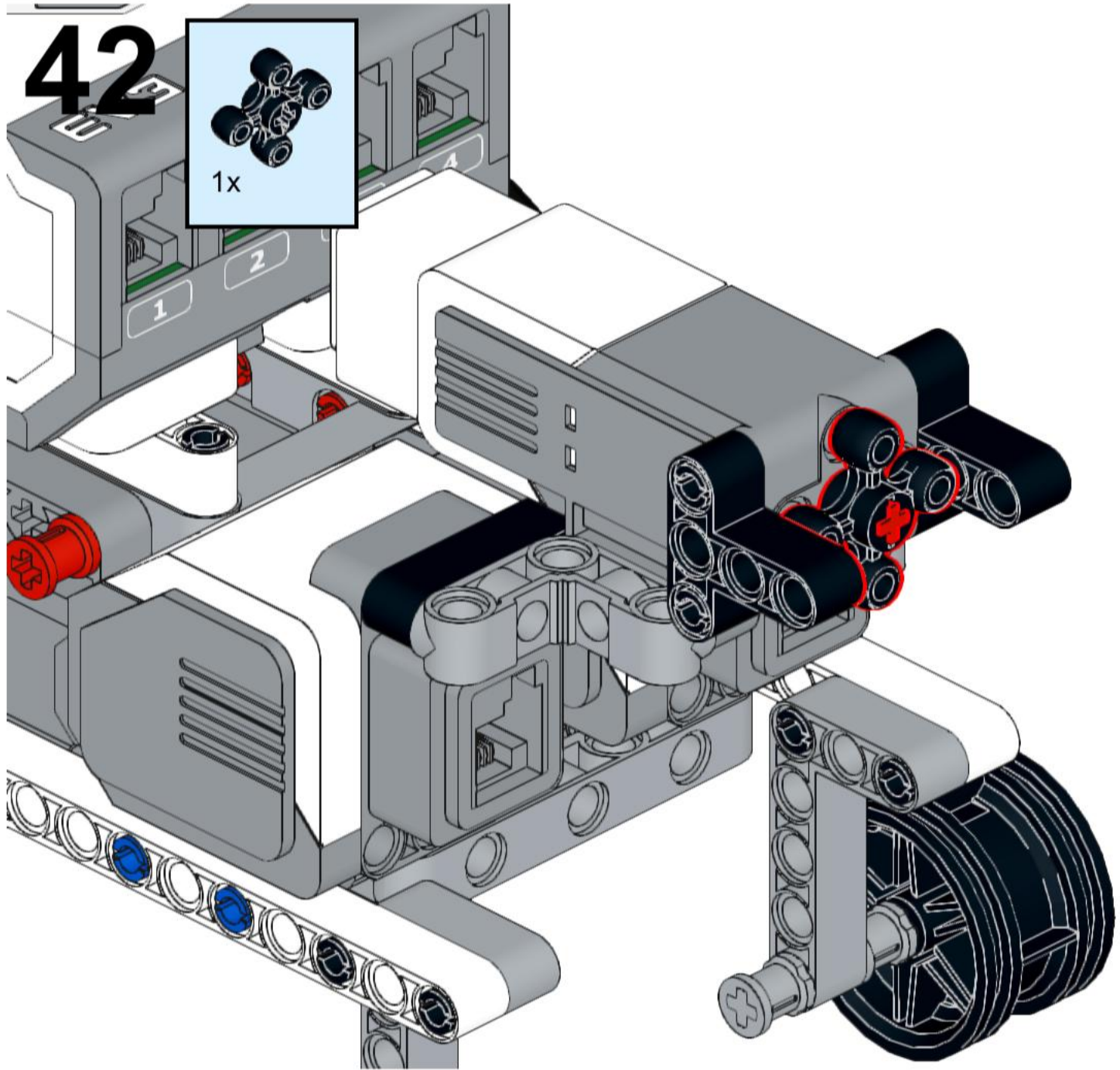
40



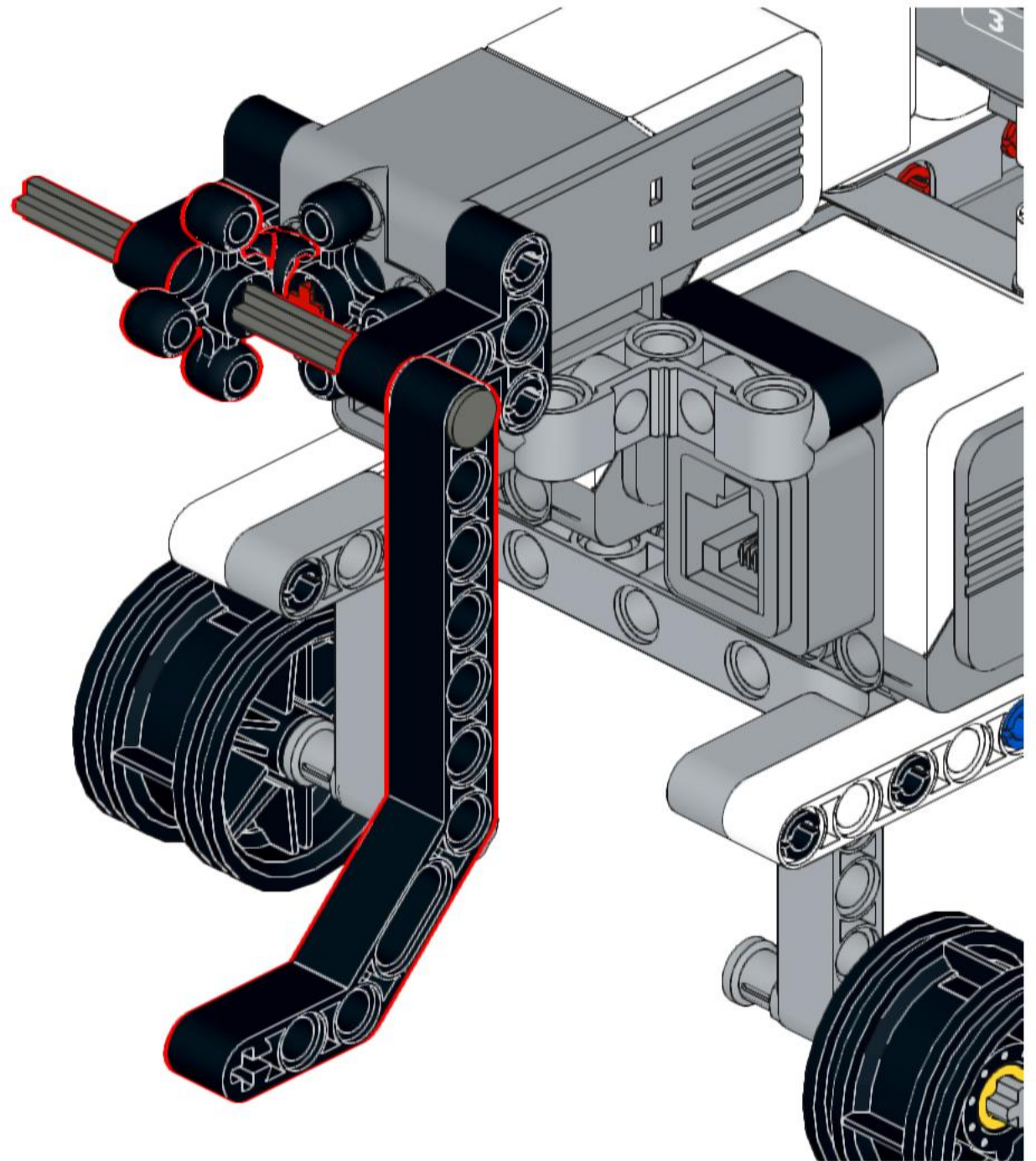
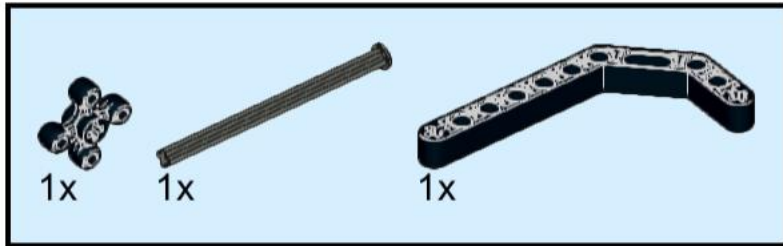
41



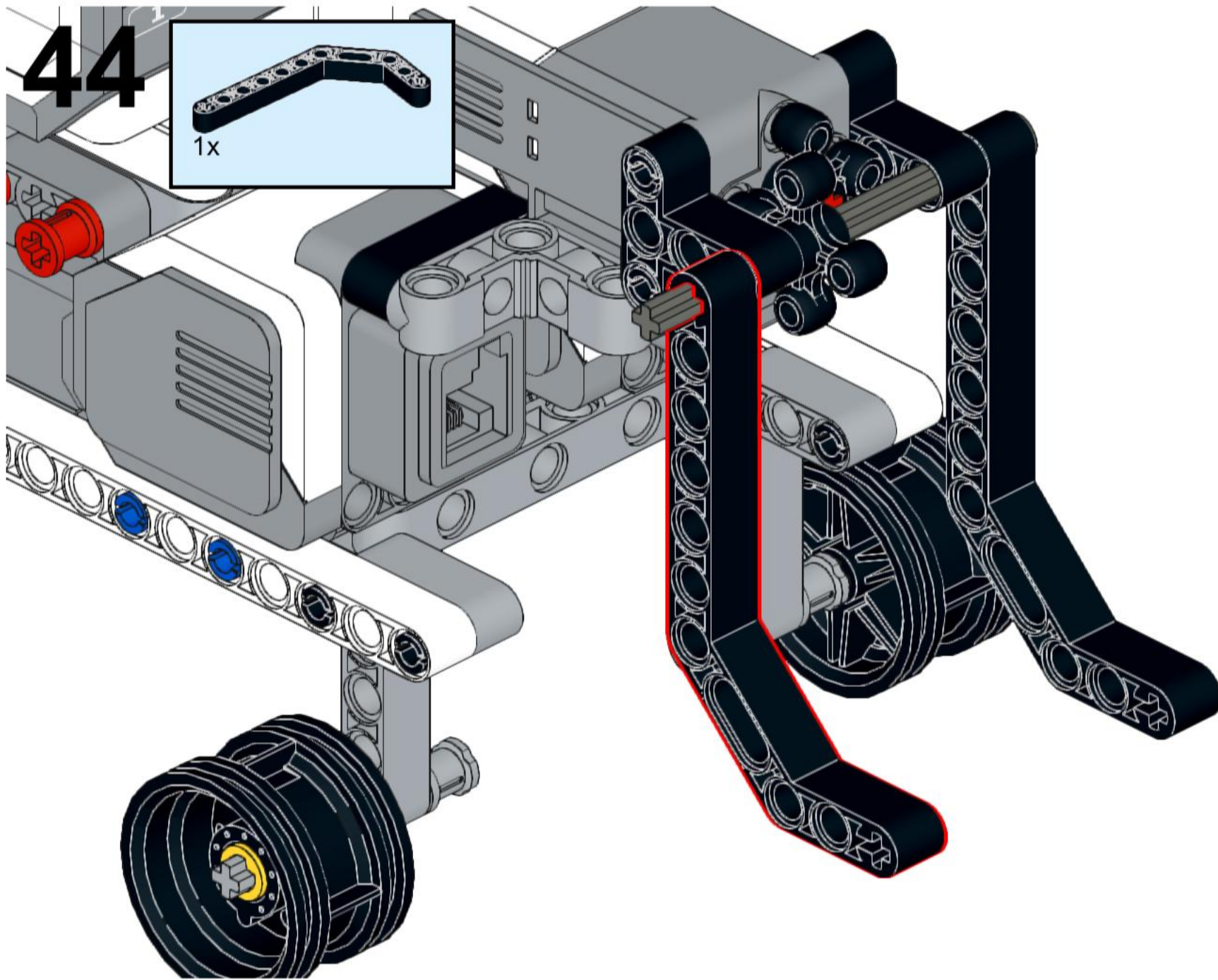
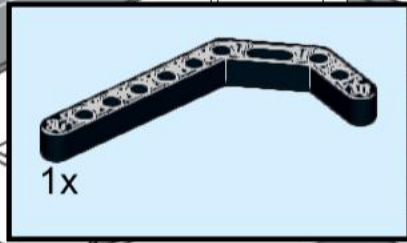
42



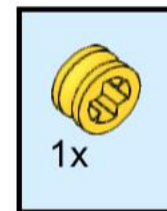
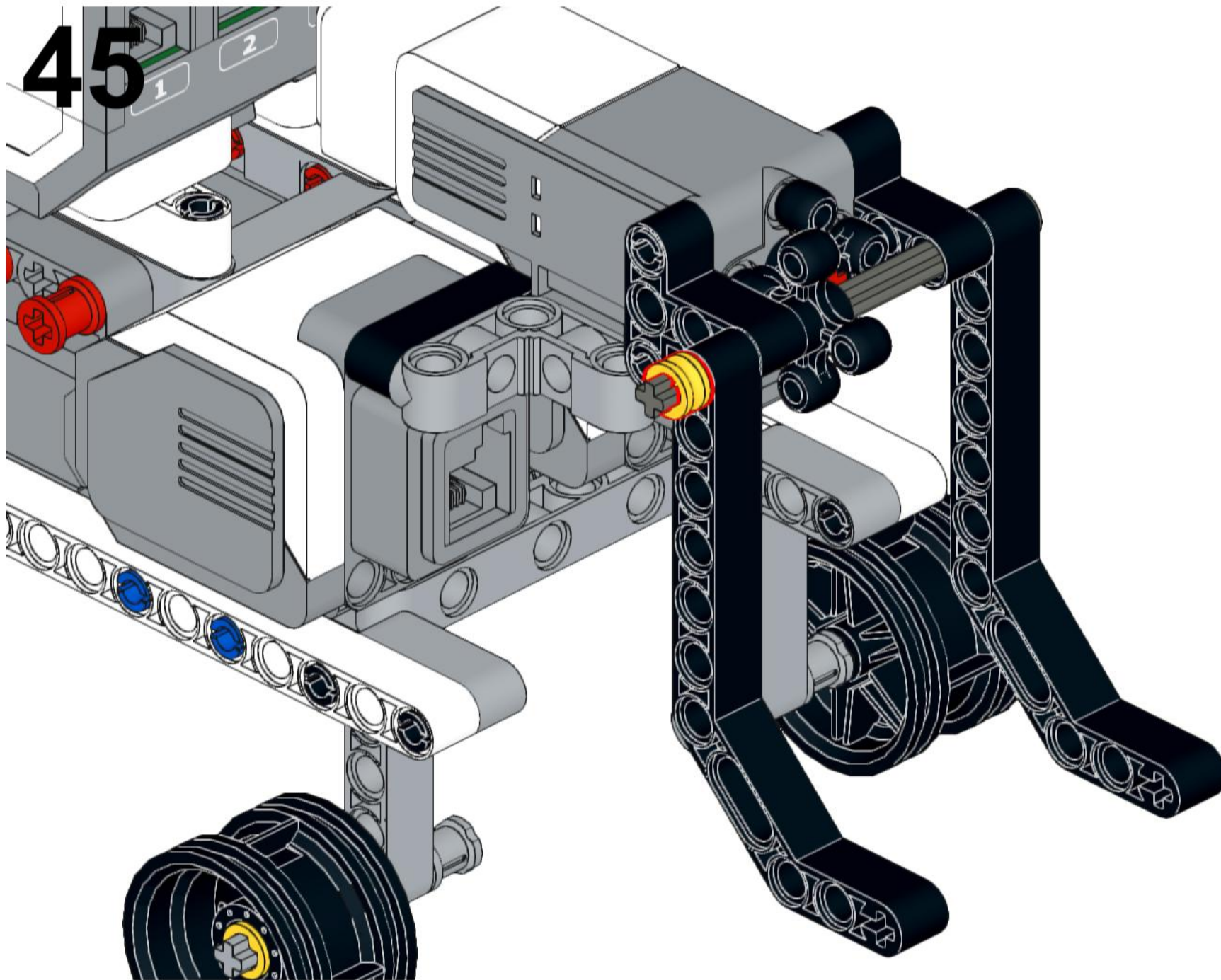
43



44



45



46

